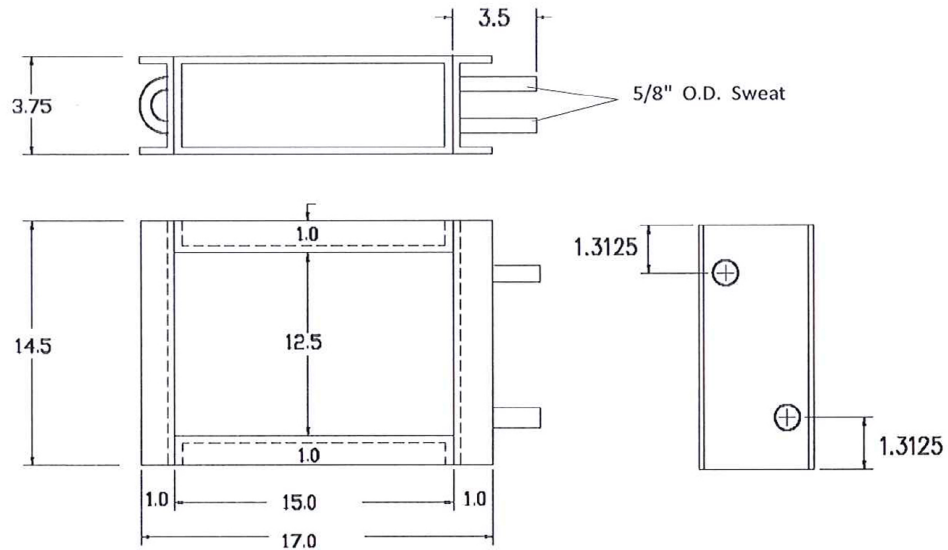


# DHT 1215-3 SERIES

## FLANGED DUCT COILS

### Specification Sheet



Model: DHT-1215-3				60 °F Entering Air		
E.W.T.	GPM	P.D. FT	CFM	MBTUH	L.A.T. °F	L.W.T. °F
180 °F	2	1.63	550	37.09	122.2	142.1
			775	43.39	111.6	135.7
			1000	47.96	104.2	131.1
	4	6.45	550	42	130.5	158.4
			775	50.9	120.6	153.9
			1000	57.76	113.3	150.4
	6	14.44	550	43.98	133.7	165
			775	53.93	124.2	161.6
			1000	61.86	117	158.9

