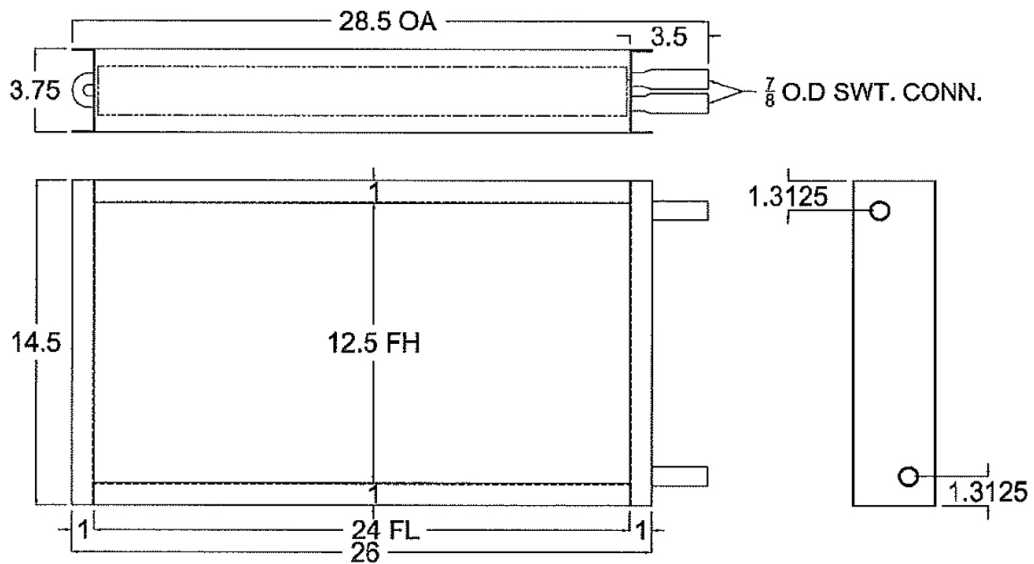


DHT 1224-2 SERIES

FLANGED DUCT COILS

Specification Sheet



Model: DHT-1224-2				60 °F Entering Air		
E.W.T.	GPM	P.D. FT	CFM	MBTUH	L.A.T. °F	L.W.T. °F
180 °F	5	6.6	1000	57.7	113.6	157.2
			1100	60.9	111.2	155.1
			1200	63.5	109	154
	7	12.17	1000	60.6	116	162
			1100	63.8	113.7	161.3
			1200	66.8	111.5	160.5
	9	17.09	1000	62.1	117.5	165.9
			1100	65.5	115.1	165.1
			1200	68.7	113	164.4

Diversified Heat Transfer, Inc.
439 Main Road, Rte. 202
Towaco, NJ 07082

CONTACT US
P. 718-386-6666 / 800-221-1522
F. 718-386-7809
E. dht@dhtnet.com

FOLLOW US @
facebook.com/diversifiedheattransfer
twitter.com/DiversifiedHeat
linkedin.com/diversified-heat-transfer

Scan Here

