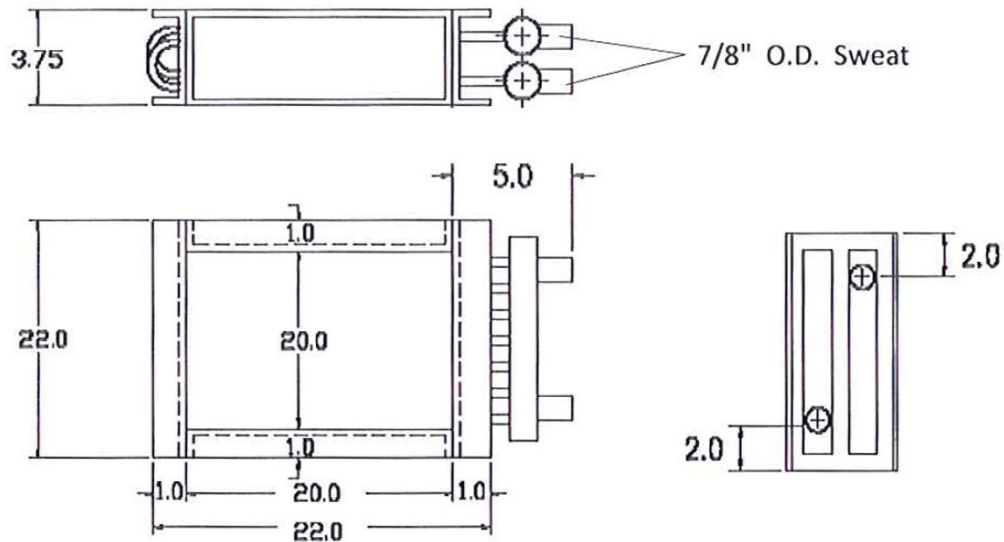


DHT 2020-2 SERIES

FLANGED DUCT COILS

Specification Sheet



Model: DHT-2020-2				60 °F Entering Air		
E.W.T.	GPM	P.D. FT	CFM	MBTUH	L.A.T. °F	L.W.T. °F
180 °F	6.0	1.59	1000	58.6	114	160
			1500	71.3	103.9	155.6
			2000	80.6	97.2	152.5
	7.5	2.48	1000	60.8	116.1	163.4
			1500	74.7	106	159.6
			2000	85.1	99.3	156.7
	8.6	3.26	1000	62	117.2	165.2
			1500	76.6	107.1	161.7
			2000	87.6	100.4	159.1

