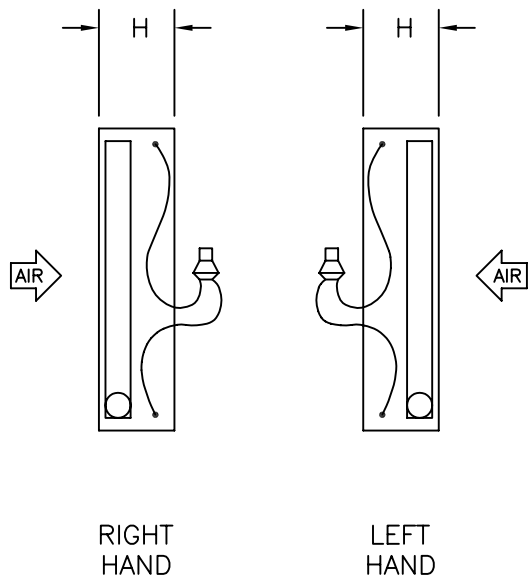
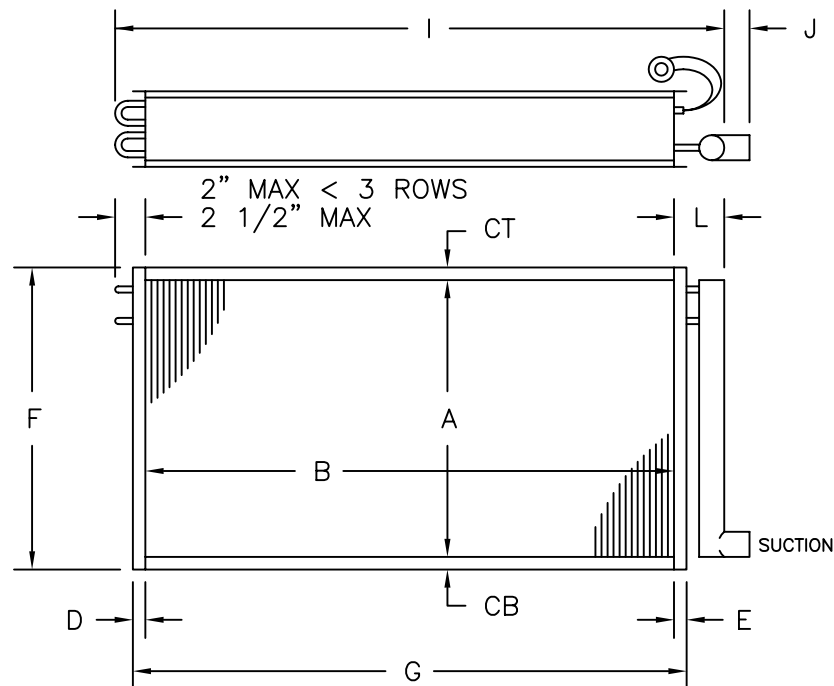




Diversified Heat Transfer, Inc
 Lindy Coil Central Water Heaters*Lindy Heat Exchangers*DHT Heating & Cooling Coils
 (P) 718-386-6666 (F) 718-386-7809
 www.dhtnet.com



ROWS: 2, 3, 4, 5, 6, 8, 10, 12	FINS: 1/2 - 8 thru 14 5/8 - 6 thru 14
--------------------------------------	---

TUBE WALL		FINS		CASING
1/2 OD	5/8 OD	1/2 OD	5/8 OD	
.017	.020	.006AL	.008AL	16ga GV
	.025	.006CU	.006CU	
		.006CU	.008CU	16ga SS
			.010CU	

HEADERS & TUBES - COPPER ONLY

ITEM	SUCTION	CONNECTIONS
1		COPPER
2		SWT
3		
4		

DIMENSIONAL DATA IN INCHES

	QTY	ROWS	FPI	A	B	CT	CB	D	E	F	G	H	I	J	L
1															
2															
3															
4															

MODEL NO.				CUST.				TAG:					
1				REP.				PURCHASE ORDER NO.					
2				APP		PRINTS		DATE		SHOP ORDER NO.			
3				FOR APPROVAL		DRAWING NO.		DX COIL					
4				FOR RECORD		DX1-							