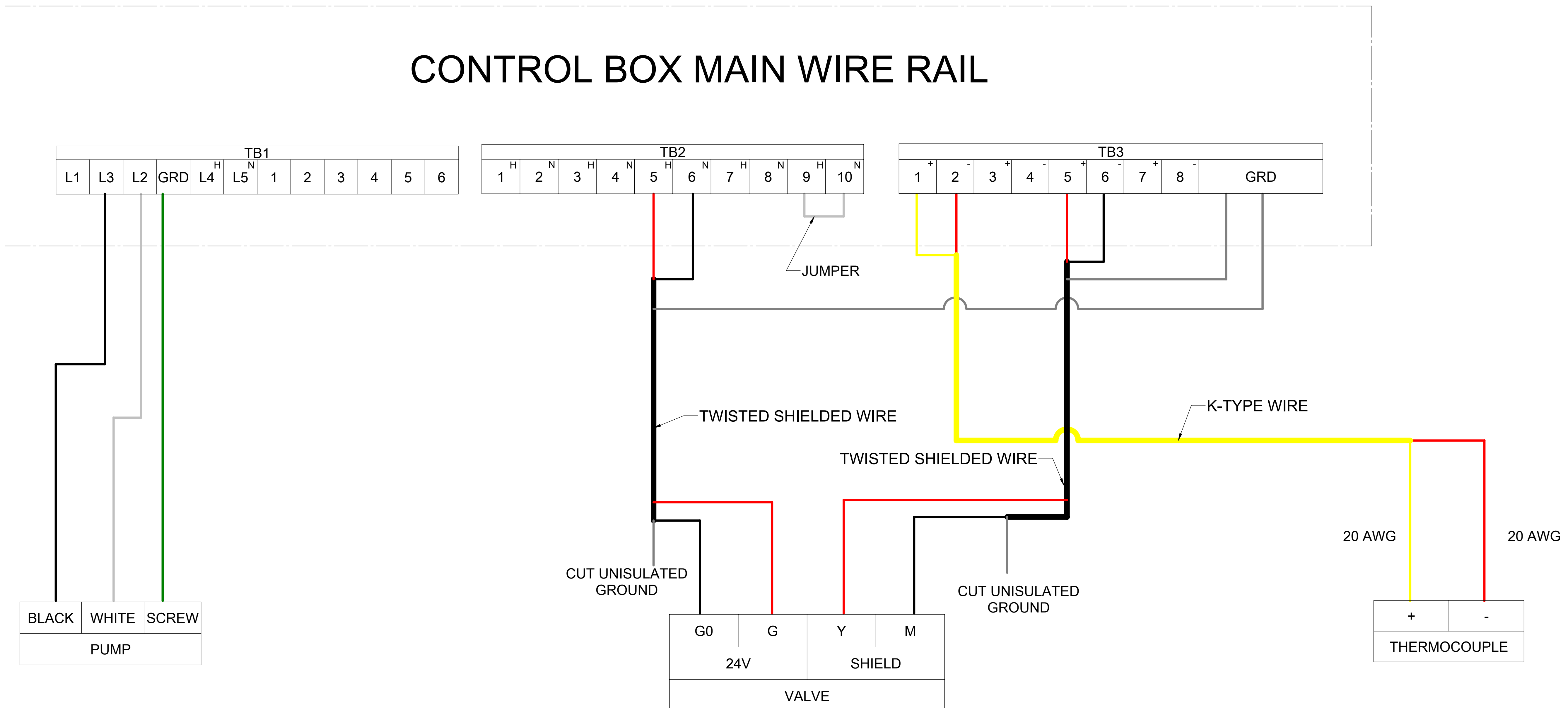


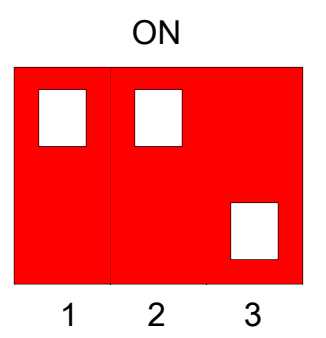
# CONTROL BOX MAIN WIRE RAIL



**NOTES:**

- 1) ALL WIRE IS 14 AWG UNLESS OTHERWISE NOTED
- 2) THE AQUASTAT IS AN ADDITIONAL OPTION. REMOVE JUMPER IN TB2-9,10 WHEN THE AQUASTAT IS INSTALLED.

DIP SWITCHES		
1	2	3
UP	UP	DOWN



	NAME	DATE
DRAWN	HH	05/11/2017
CHECKED		
ENG APPR.		
MFG APPR.		
Q.A.		
COMMENTS:		

**DIVERSIFIED HEAT TRANSFER INC**  
 439 MAIN ROAD, TOWACO NJ 07082  
 PHONE: (800) 221-1522      FAX: (855) 221-2400

MODEL: SUPERPLATE SERIES  
 VALVE: SIEMENS MVF461H  
 CONTROL BOX: MELE-01-0001 (ORIGINAL)

REV#	DATE	BY	DESCRIPTION

SCALE 1 : 8	DWG.# SP1-MVF461H	JOB #	REV A
-------------	----------------------	-------	----------