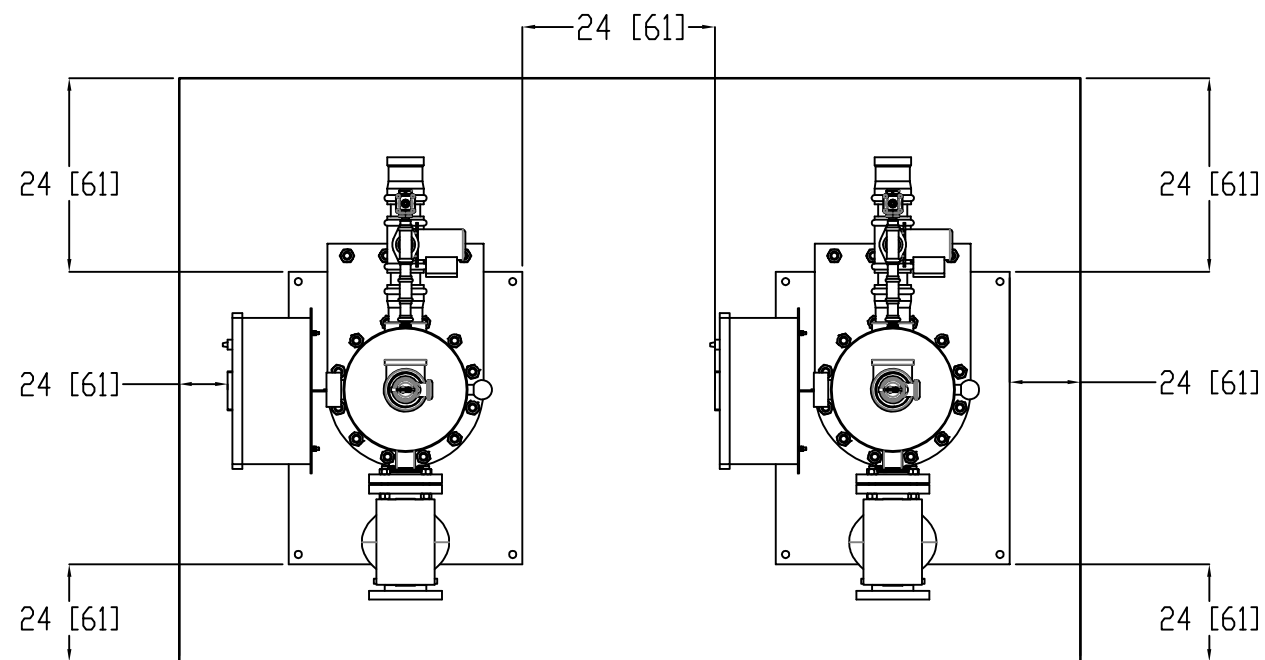
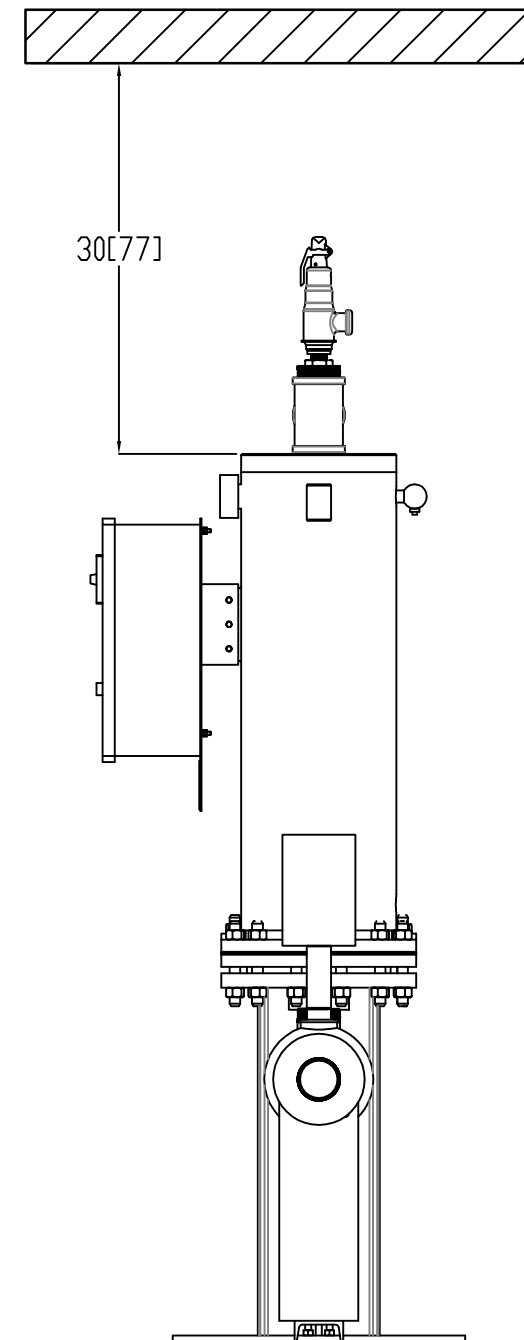


SINGLE UNIT INSTALLATION



MULTIPLE UNITS INSTALLATION



ELEVATION VIEW

NOTES:

1. ALL DIMENSIONS SHOWN ARE IN INCHES [CENTIMETERS].
2. 54[138] MIN. SERVICE CLEARANCE IS REQUIRED ON TOP OF HEAT EXCHANGER SHELL COVER IF RELIEF VALVE AND TEE ARE NOT TO BE DISASSEMBLED IN THE FIELD DURING SERVICE.
3. THIS DRAWING SHOWS MINIMUM RECOMMENDED SERVICE CLEARANCE DIMENSIONS.
4. REFER TO WATER HEATER DIMENSIONAL DRAWING TO REVIEW OTHER DIMENSIONS.
5. DHT RESERVES THE RIGHT TO MODIFY THE DIMENSIONS WITHOUT PRIOR NOTICE.
6. ALSO CONSULT LOCAL CODES AND AUTHORITIES.



439 MAIN RD. TOWACO NJ 07082

PHONE: (800) 221-1522

FAX: (855) 221-2400

INSTALLATION CLEARANCE DRAWING
 VSIW SUPERTHERM WATER HEATER
 WATER TO WATER

	NAME	DATE	DWG.#	REV
DRAWN BY	LY	08/18/17	S-10	A
CHECKED BY	SS	08/18/17		