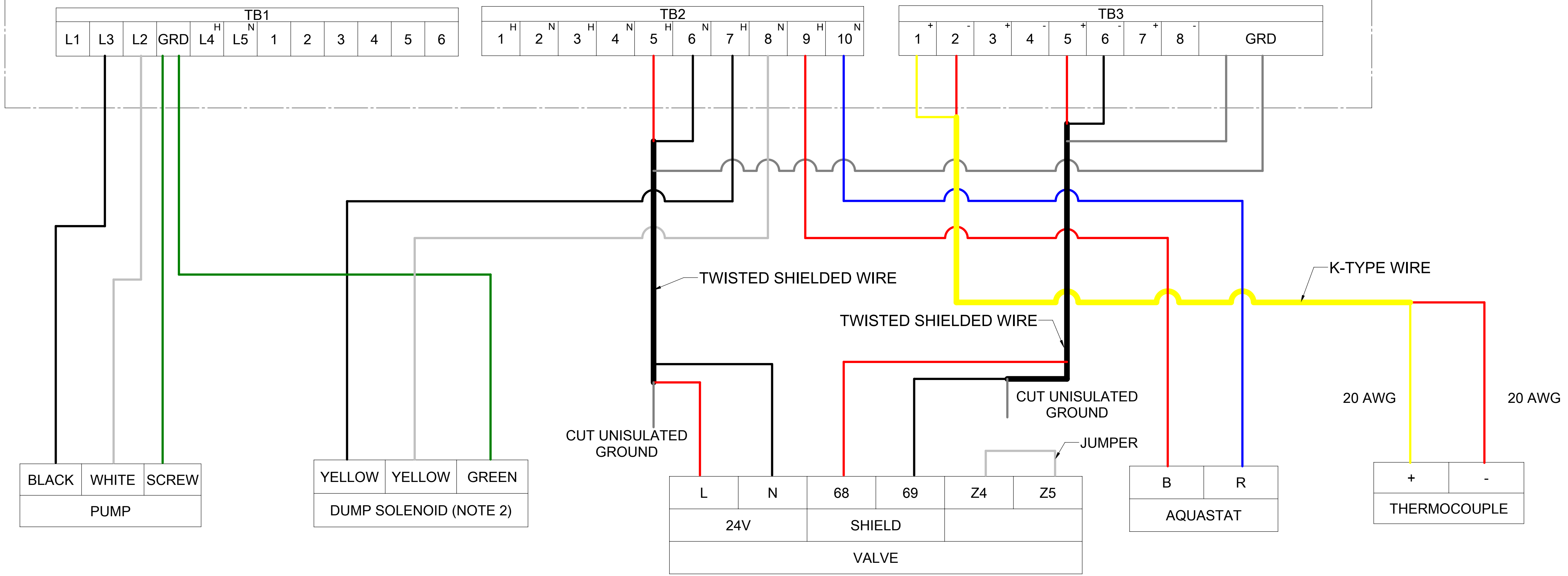


# CONTROL BOX MAIN WIRE RAIL



**NOTES:**

- 1) ALL WIRE IS 14 AWG UNLESS OTHERWISE NOTED
- 2) THE DUMP SOLENOID WILL HAVE TWO YELLOW LEADS. ONE MUST BE CONNECTED TO TB2-7, AND THE OTHER TO TB2-8.

	NAME	DATE
DRAWN	HH	05/11/2017
CHECKED		
ENG APPR.		
MFG APPR.		
Q.A.		
COMMENTS:		

**DIVERSIFIED HEAT TRANSFER INC**  
 439 MAIN ROAD, TOWACO NJ 07082  
 PHONE: (800) 221-1522      FAX: (855) 221-2400

MODEL:            SUPERTHERM SERIES  
 VALVE:            RTK  
 CONTROL BOX:   MELE-01-0001 (ORIGINAL)

REV#	DATE	BY	DESCRIPTION

SCALE 1 : 8	DWG.# ST1-RTK	JOB #	REV A
-------------	------------------	-------	----------