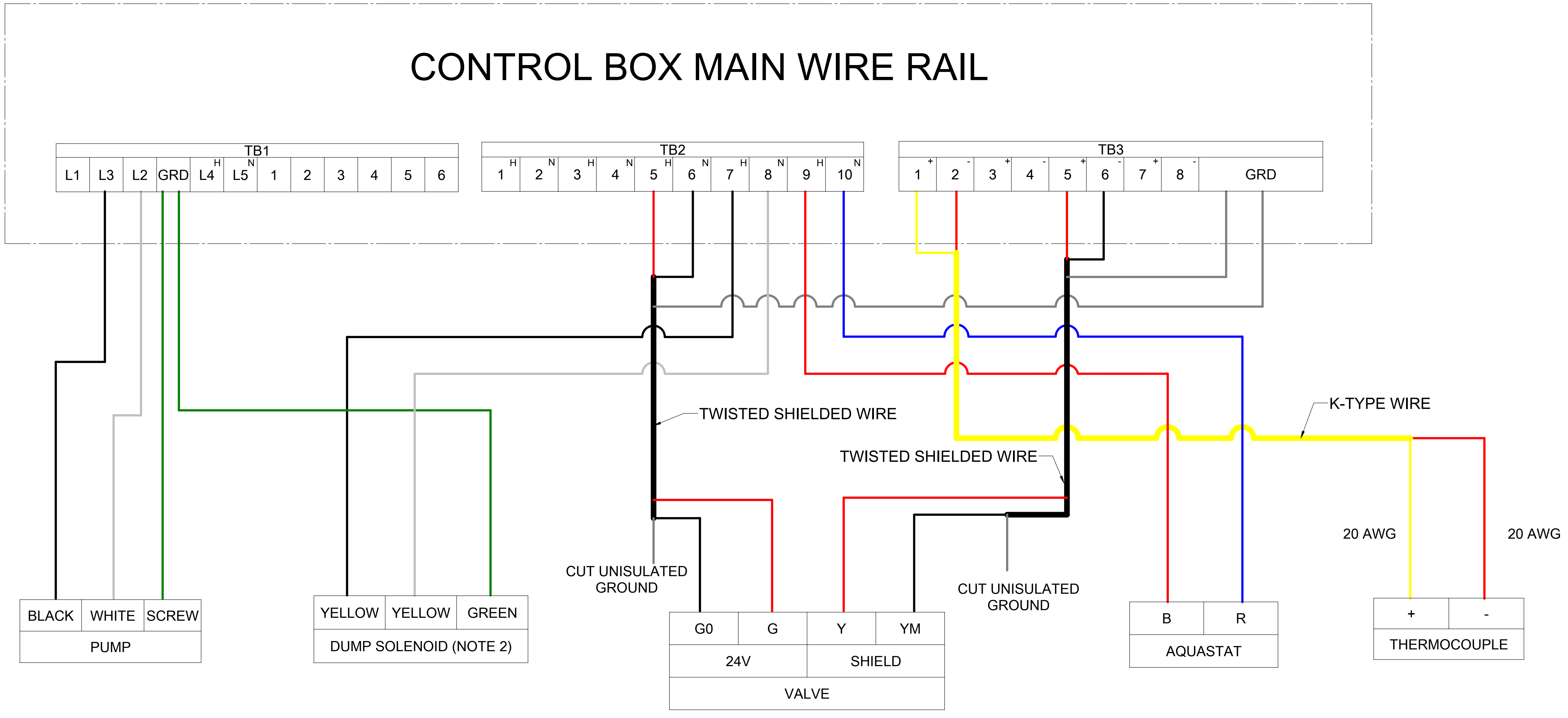


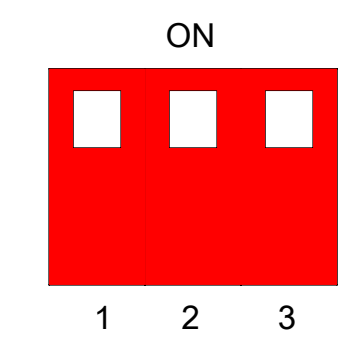
# CONTROL BOX MAIN WIRE RAIL



**NOTES:**

- 1) ALL WIRE IS 14 AWG UNLESS OTHERWISE NOTED
- 2) THE DUMP SOLENOID WILL HAVE TWO YELLOW LEADS. ONE MUST BE CONNECTED TO TB2-7, AND THE OTHER TO TB2-8.
- 3) THIS VALVE IS ONLY USED FOR WATER APPLICATIONS.

DIP SWITCHES		
1	2	3
UP	UP	UP



	NAME	DATE
DRAWN	HH	05/11/2017
CHECKED		
ENG APPR.		
MFG APPR.		
Q.A.		
COMMENTS:		

**DIVERSIFIED HEAT TRANSFER INC**  
 439 MAIN ROAD, TOWACO NJ 07082  
 PHONE: (800) 221-1522      FAX: (855) 221-2400

MODEL: SUPER THERM SERIES  
 VALVE: SIEMENS MXG461...U  
 CONTROL BOX: MELE-01-0001 (ORIGINAL)

REV#	DATE	BY	DESCRIPTION

SCALE 1 : 8

DWG.#	JOB #	REV
ST1-MXG461...U		A