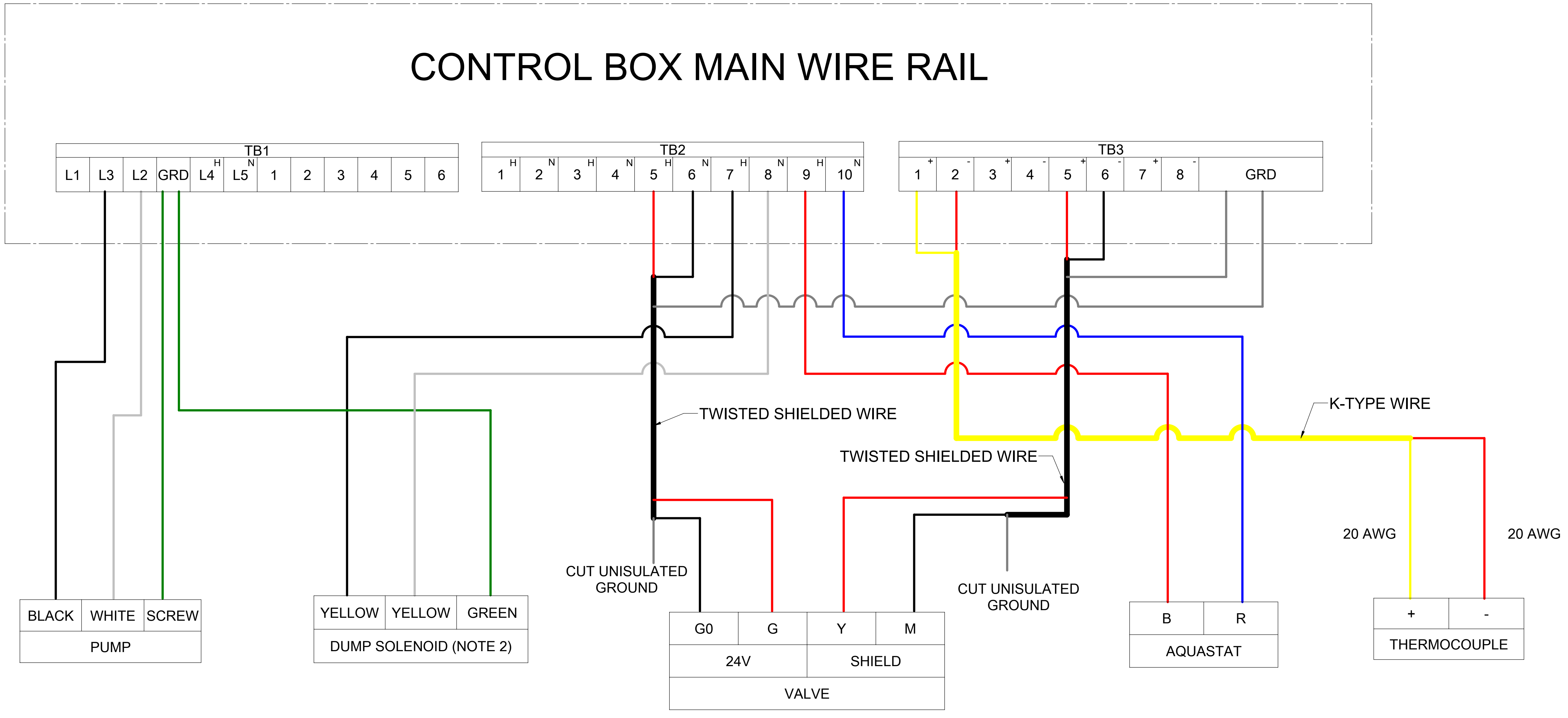


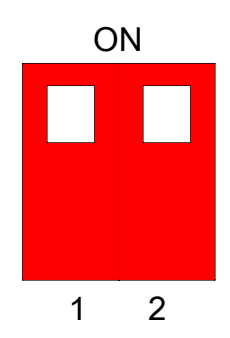
CONTROL BOX MAIN WIRE RAIL



NOTES:

- 1) ALL WIRE IS 14 AWG UNLESS OTHERWISE NOTED
- 2) THE DUMP SOLENOID WILL HAVE TWO YELLOW LEADS. ONE MUST BE CONNECTED TO TB2-7, AND THE OTHER TO TB2-8.
- 3) DIP SWITCH 2 SHOULD BE DOWN IF THE FLUID IN THE VALVE IS WATER, AND UP IF THE FLUID IS STEAM.

DIP SWITCHES	
1	2
UP	(NOTE 3)



	NAME	DATE
DRAWN	HH	05/11/2017
CHECKED		
ENG APPR.		
MFG APPR.		
Q.A.		
COMMENTS:		

DIVERSIFIED HEAT TRANSFER INC
 439 MAIN ROAD, TOWACO NJ 07082
 PHONE: (800) 221-1522 FAX: (855) 221-2400

MODEL: SUPERTHERM SERIES
 VALVE: SIEMENS SKD
 CONTROL BOX: MELE-01-0001 (ORIGINAL)

REV#	DATE	BY	DESCRIPTION

SCALE 1 : 8

DWG.#	JOB #	REV
ST1-SKD		A