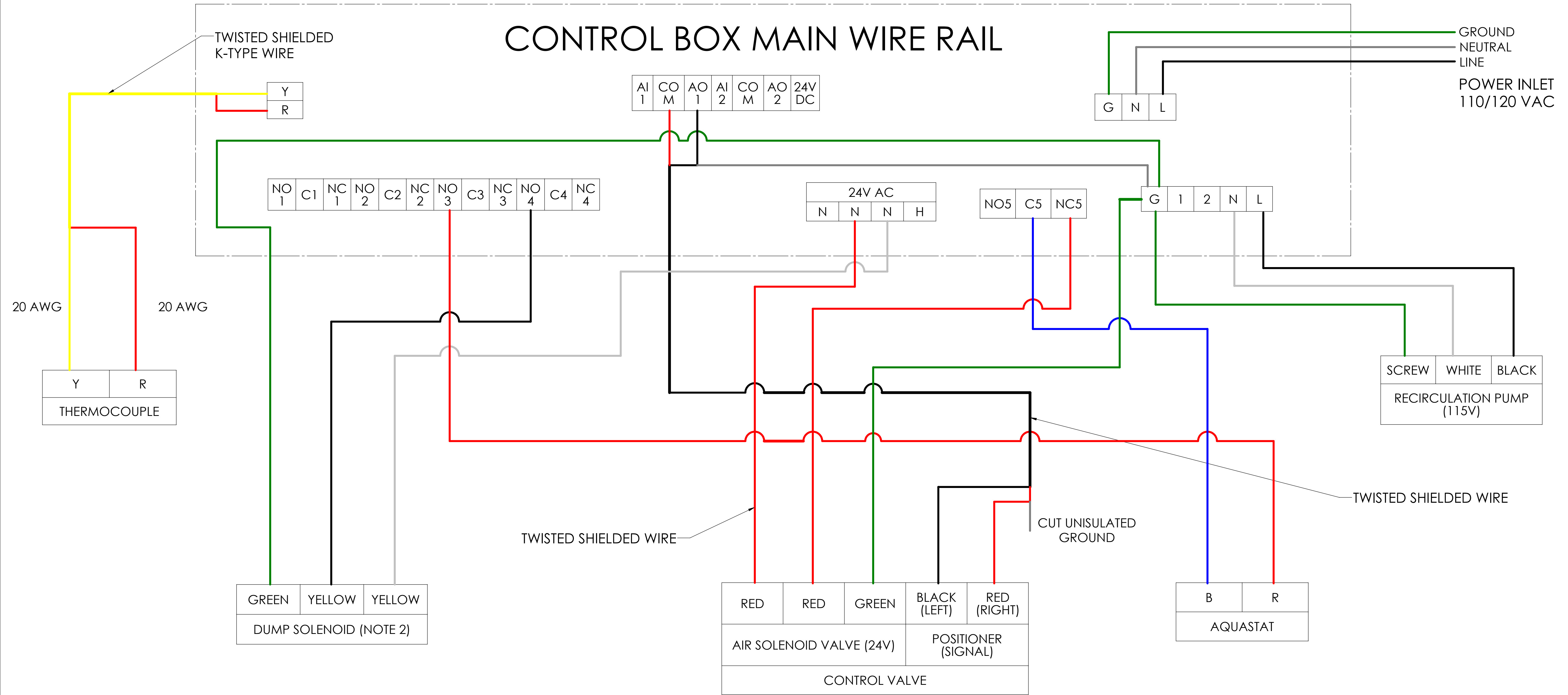


CONTROL BOX MAIN WIRE RAIL



- NOTES:
1. ALL WIRING IS 14 AWG UNLESS OTHERWISE NOTED.
 2. THE DUMP SOLENOID CONTAIN TWO YELLOW LEADS INTERNALLY. THESE ARE INTERCHANGEABLE.
 3. UNIT SHUTS DOWN UPON LOSS OF ELECTRICAL POWER SUPPLY.
 4. DO NOT ROUTE COMMUNICATION WIRING AND MAIN POWER WIRING INSIDE SAME CONDUIT.
 5. INSTALL EXTERNAL 6AMP CIRCUIT BREAKER SWITCH (FIELD SUPPLIED) IN THE MAIN POWER INLET WIRING TO CONTROL PANEL.
 6. CONSULT LOCAL AND NATIONAL ELECTRICAL CODES AND STANDARDS.



439 MAIN RD. TOWACO NJ 07082
 PHONE: (800) 221-1522 FAX: (855) 221-2400

ELECTRICAL WIRING DRAWING
 WARREN PNEUMATIC CONTROL VALVE
 SUPERTHERM UNIT

	NAME	DATE	DWG#	REV
DRAWN BY	SS	05/04/2018	S-26	A
CHECKED BY	TF	05/07/2018	SHEET 1 OF 1	