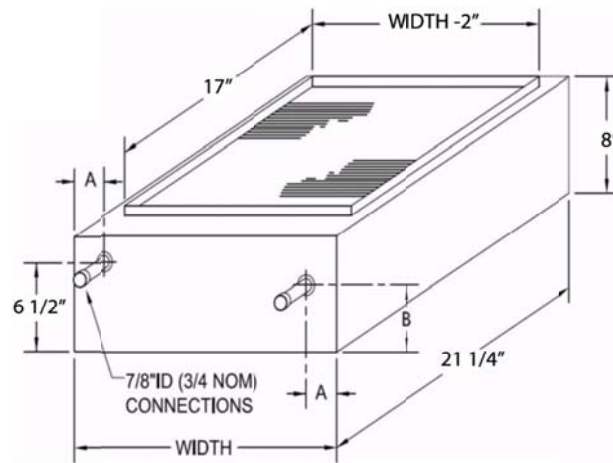


AHCC SERIES- CASED HYDRONIC HEATING

Installation:

- Position the new Hydronic Heat Unit over the discharge of the existing air handler.
- Seal air-tight around fit-up
- Install circulator (by other) and close loop as required

Note: The coil is multi-position and may be installed vertically or horizontally, upflow or downflow.



Dimensions

Model	Width	A	B
AHCC-2-150	15"	2"	5-13/32"
AHCC-2-175	17-1/2"	2"	5-13/32"
AHCC-2-195	19-1/2"	2"	5-13/32"
AHCC-2-210	21"	2"	5-13/32"
AHCC-2-235	23-1/2"	2"	5-13/32"
AHCC-2-260	26"	2"	5-13/32"
AHCC-3-150	15"	2"	4-11/32"
AHCC-3-175	17-1/2"	2"	4-11/32"
AHCC-3-195	19-1/2"	2"	4-11/32"
AHCC-3-210	21"	2"	4-11/32"
AHCC-3-235	23-1/2"	2"	4-11/32"