

TECHNICAL DATA SHEET

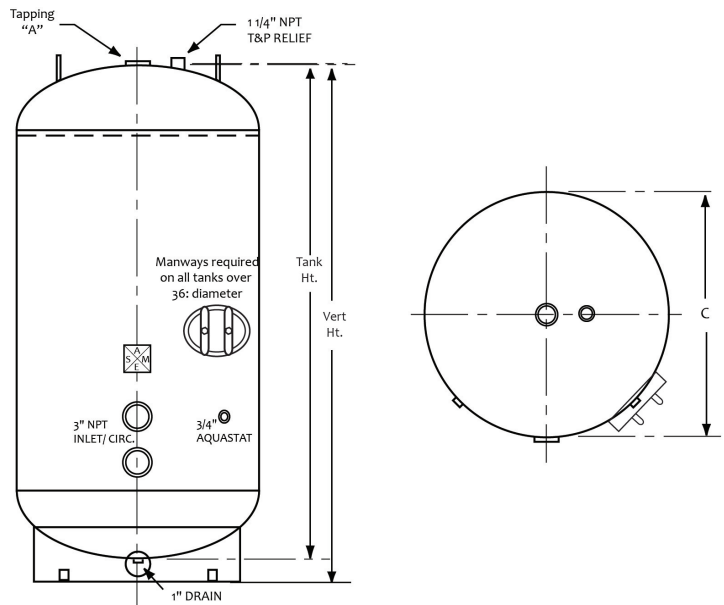
DOMESTIC WATER STORAGE TANK

STAINLESS STEEL STORAGE TANKS

VERTICAL BARE TANK

FEATURES:

- Designed for storage of potable hot water up to 180 degrees F.
- Vertical or Horizontal configurations.
- 125 PSI Standard.
- 150 psi ~ 160 psi – optional.
- 3” NPT circulation fittings standard. Custom connection sizes optional.
- Glass Lining.
- Double glass lining (optional).
- Manways included on tanks over 36” diameter
- Magnesium Anodes (Power Anodes Optional).
- 4” Skirt on 30” to 48” diameter, 6” Skirt on 54” diameter and above.
- Lift Lugs Standard
- Red Oxide Primer
- Jacketed and insulated, bare or R-16 Topcoat.
- Duplex Stainless Steel option available.
- Certifications: ASME IV, Part HLW.
- Warranty:
 - Five year limited warranty on steel tank.
 - Ten year limited warranty on steel tank (with double glass lining)



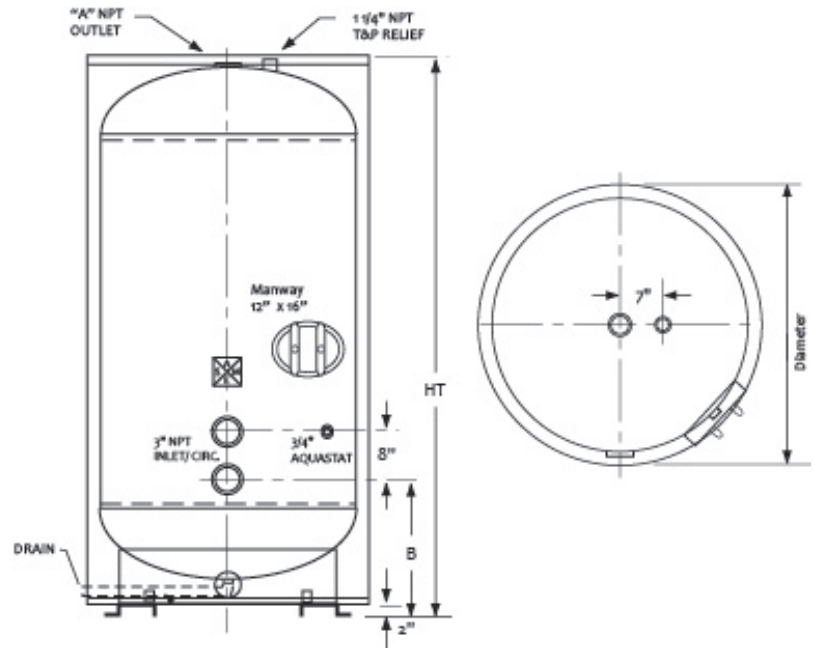
MODEL NUMBER	ACTUAL GALLONS CAPACITY	VERTICAL HEIGHT (HT)	BASE CLEARANCE	DIAMETER	"A" HOT OUTLET	WEIGHT @125# (LBS)
D-24-062	119	62"	N/A	24"	2"	225
D-24-062-A	119	62"	N/A	24"	2"	225
D-30-063	175	67"	4"	30"	2.50"	340
D-30-075	210	79"	4"	30"	2.50"	387
D-30-085	240	89"	4"	30"	2.50"	420
D-36-078	310	82"	4"	36"	2.50"	588
D-42-084	453	88"	4"	42"	3.00"	805
D-48-073	500	77"	4"	48"	3.00"	1038
D-42-093	505	97"	4"	42"	3.00"	874
D-48-108	765	112"	4"	48"	3.00"	1433
D-48-141	1040	145"	4"	48"	3.00"	1805
D-54-113	1000	119"	6"	54"	3.00"	1827

Note: Dimensions and Specifications subject to change without notice.

JACKETED AND INSULATED TANK

FEATURES:

- Designed for storage of potable hot water up to 180 degrees F.
- Vertical or Horizontal configurations.
- 125 PSI Standard.
- 150 psi ~ 160 psi – optional.
- 3/4" Aquastat NPT fittings.
- 3" NPT circulation fittings standard. Custom connection sizes optional.
- Sturdy steel jacket
- Glass Lining.
- Double glass lining (optional).
- Manways included on tanks over 36" diameter
- Magnesium Anodes (Power Anodes Optional).
- Tank is mounted on 2" fork-lift rails for easy lifting
- 2" High density foam insulation- meets ASHRAE 90.1b (2010 version) requirements
- Duplex Stainless Steel option available.
- Certifications: ASME IV, Part HLW.
- Warranty:
 - Five year limited warranty on steel tank.
 - Ten year limited warranty on steel tank (with double glass lining)



MODEL NUMBER	ACTUAL GALLONS CAPACITY	VERTICAL HEIGHT (HT)	BASE CLEARANCE	"B"	DIAMETER	"A" HOT OUTLET	WEIGHT @125# (LBS)
DH-28-120	119	63.50"	N/A	9.25"	28"	2"	225
DH-28-120-A	119	63.50"	N/A	9.25"	28"	2"	225
DH-30-063	175	71"	2"	19.50"	34"	2.50"	548
DH-30-075	210	83"	2"	19.50"	34"	2.50"	613
DH-30-085	240	93"	2"	19.50"	34"	2.50"	673
DH-36-078	310	86"	2"	21.00"	40"	2.50"	782
DH-42-084	453	92"	2"	22.50"	46"	3.00"	1074
DH-48-073	500	81"	2"	24.00"	52"	3.00"	1381
DH-42-093	505	101"	2"	22.50"	46"	3.00"	1168
DH-48-108	765	116"	2"	24.00"	52"	3.00"	1803
DH-48-141	1040	149"	2"	24.00"	52"	3.00"	2216
DH-54-113	1000	121"	2"	27.50"	58"	3.00"	2400

Note: Dimensions and Specifications subject to change without notice.

DHT can accept no responsibility for possible errors in catalogs, brochures, and other printed material. DHT reserves the right to alter its products without notice. DHT and the DHT logotype are trademarks of DHT. All rights reserved.



439 Main Road, Rte. 202
Towaco, NJ 07082
www.dhtnet.com

Phone: 718-386-6666
Toll Free: 800-221-1522
Fax: 718-386-7809
Email: sales@dhtnet.com