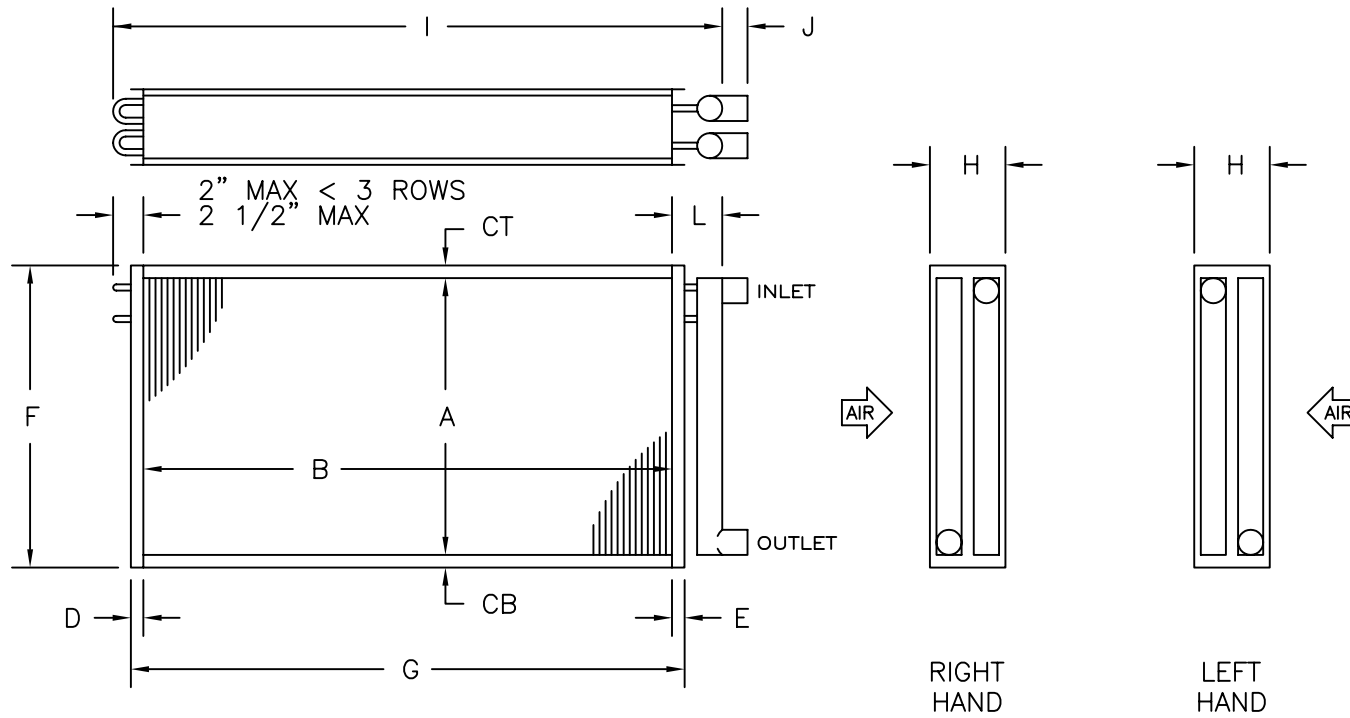




Diversified Heat Transfer, Inc
 Lindy Coil Central Water Heaters*Lindy Heat Exchangers*DHT Heating & Cooling Coils
 (P) 718-386-6666 (F) 718-386-7809
 www.dhtnet.com



ROWS: 1, 2, 3, 4, 5 6, 8, 10, 12	FINS: 1/2 - 8 thru 14 5/8 - 6 thru 14
--	---

TUBE WALL		FINS		CASING
1/2 OD	5/8 OD	1/2 OD	5/8 OD	
.017	.020	.006AL	.008AL	16ga GV
	.025	.006CU	.006CU	
			.008CU	16ga SS
			.010CU	

HEADERS & TUBES - COPPER ONLY

ITEM	INLET	OUTLET	CONNECTIONS
1			COPPER
2			SWT
3			
4			

DIMENSIONAL DATA IN INCHES

	QTY	ROWS	FPI	A	B	CT	CB	D	E	F	G	H	I	J	L
1															
2															
3															
4															

MODEL NO.				CUST.				TAG:			
1				REP.				PURCHASE ORDER NO.			
2				APP	PRINTS	DATE		SHOP ORDER NO.			
3				FOR APPROVAL		DRAWING NO.		CONDENSER			
4				FOR RECORD		CX1-					