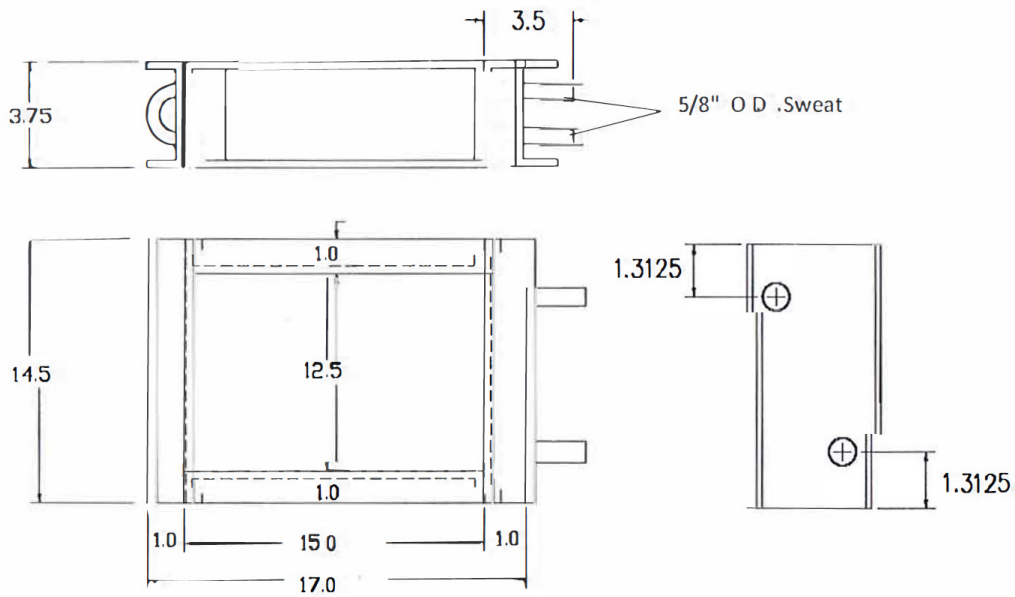


# DHT 1215-2 SERIES

## FLANGED DUCT COILS

### Specification Sheet



Model: DHT-1215-2				60 °F Entering Air		
E.W.T.	GPM	P.D. FT	CFM	MBTUH	L.A.T. °F	L.W.T. °F
180 °F	2	0.92	550	29.3	109.2	150
			775	34.2	100.8	144.9
			1000	37.99	95	141.2
	4	3.49	550	32.9	115.3	163.1
			775	39.46	106.9	159.8
			1000	44.56	101.1	157.2
	6	7.64	550	34.4	117.7	168.2
			775	41.58	109.5	165.8
			1000	47.3	103.6	163.8

Diversified Heat Transfer, Inc.  
439 Main Road, Rte. 202  
Towaco, NJ 07082

CONTACT US  
P. 718-386-6666 / 800-221-1522  
F. 718-386-7809  
E. dht@dhtnet.com

FOLLOW US @  
facebook.com/diversifiedheattransfer  
twitter.com/DiversifiedHeat  
linkedin.com/diversified-heat-transfer

Scan Here

