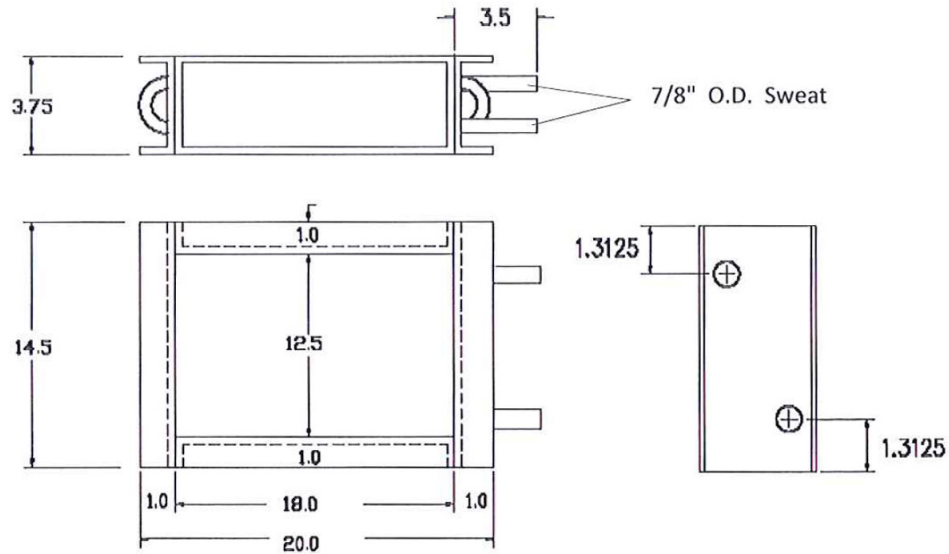


# DHT 1218-2 SERIES

## FLANGED DUCT COILS

### Specification Sheet



Model: DHT-1218-2				60 °F Entering Air		
E.W.T.	GPM	P.D. FT	CFM	MBTUH	L.A.T. °F	L.W.T. °F
180 °F	5	5.83	900	49.4	110.6	165.9
			1000	52.2	108.2	165.1
			1100	54.8	106	164.4
	7	10.76	900	51.2	112.6	165
			1000	54.1	110.0	164.2
			1100	56.8	107.1	163.4
	9	14.9	900	52.4	113.8	168.1
			1000	55.5	111.3	167.4
			1100	58.3	109	166.7

