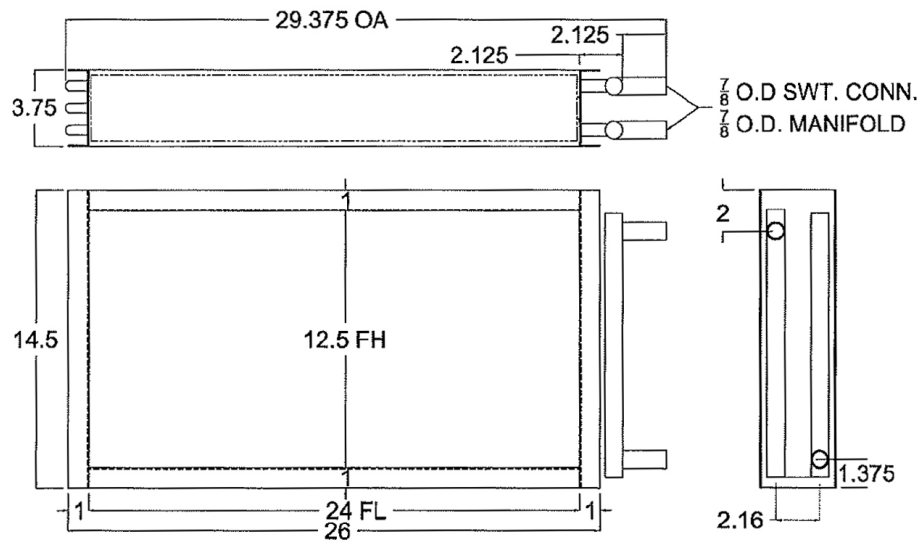


DHT 1224-3 SERIES

FLANGED DUCT COILS

Specification Sheet



Model: DHT-1224-3				60 °F Entering Air		
E.W.T.	GPM	P.D. FT	CFM	MBTUH	L.A.T. °F	L.W.T. °F
180 °F	6	3.6	1000	76	129	149.7
			1200	84.6	125	151
			1400	91.3	120.2	149
	8	8.67	1000	78.8	133	160
			1200	87.8	127.6	157.6
			1400	95.5	123.2	155.6
	10	10.59	1000	80.4	134.4	163.5
			1200	89.8	129.3	161.6
			1400	98.1	124.9	159.9

