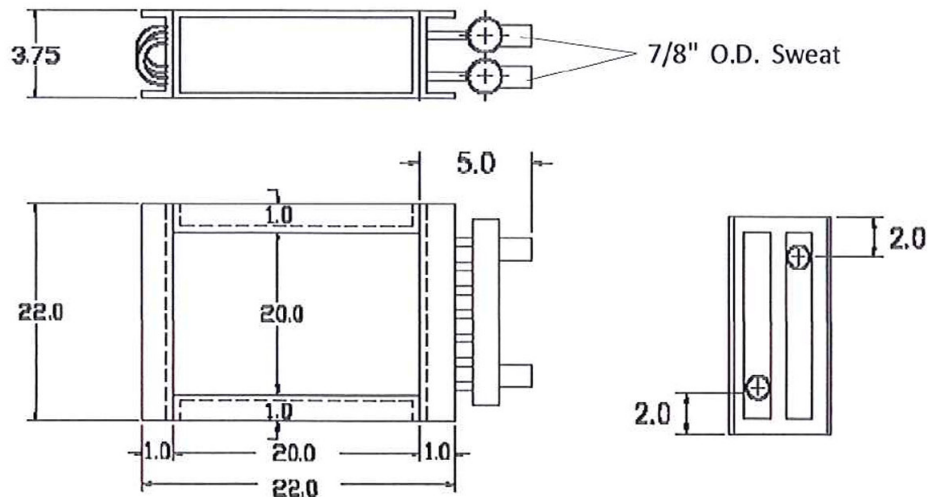


DHT 2020-3 SERIES

FLANGED DUCT COILS

Specification Sheet



Model: DHT-2020-3				60 °F Entering Air		
E.W.T.	GPM	P.D. FT	CFM	MBTUH	L.A.T. °F	L.W.T. °F
180 °F	10	4.74	1500	103.9	123.9	158.7
			2000	120.7	115.7	155.2
			2500	134.1	109.5	152.5
	15	10.61	1500	109.3	127.2	165
			2000	128.4	119.2	162.4
			2500	144	113.1	160.3
	20	18.81	1500	112.3	129	168.5
			2000	132.7	121.2	166.4
			2500	149.5	115.2	164.6

Diversified Heat Transfer, Inc.
439 Main Road, Rte. 202
Towaco, NJ 07082

CONTACT US
P. 718-386-6666 / 800-221-1522
F. 718-386-7809
E. dht@dhtnet.com

FOLLOW US @
facebook.com/diversifiedheattransfer
twitter.com/DiversifiedHeat
linkedin.com/diversified-heat-transfer

Scan Here

