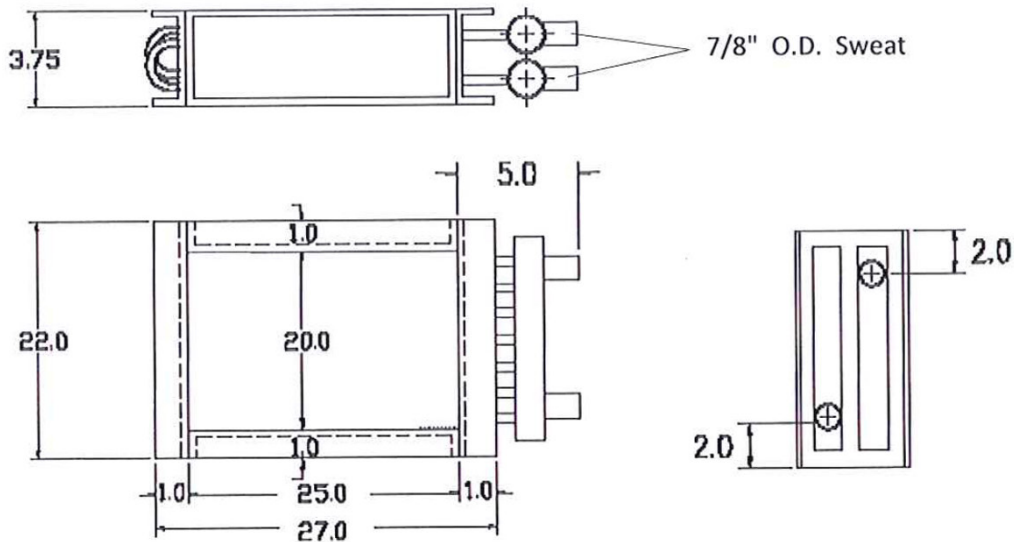


DHT 2025-2 SERIES

FLANGED DUCT COILS

Specification Sheet



Model: DHT-2025-2				60 °F Entering Air		
E.W.T.	GPM	P.D. FT	CFM	MBTUH	L.A.T. °F	L.W.T. °F
180 °F	10	4.5	1500	86	112.9	162.3
			2000	99.5	105.9	159.6
			2500	110	100.7	157.4
	15	10.11	1500	90.68	115.7	167.6
			2000	105.84	108.8	165.5
			2500	118.27	103.6	163.8
	20	17.93	1500	93.2	117.3	170.4
			2000	109.38	110.4	168.8
			2500	122.73	105.3	167.4

