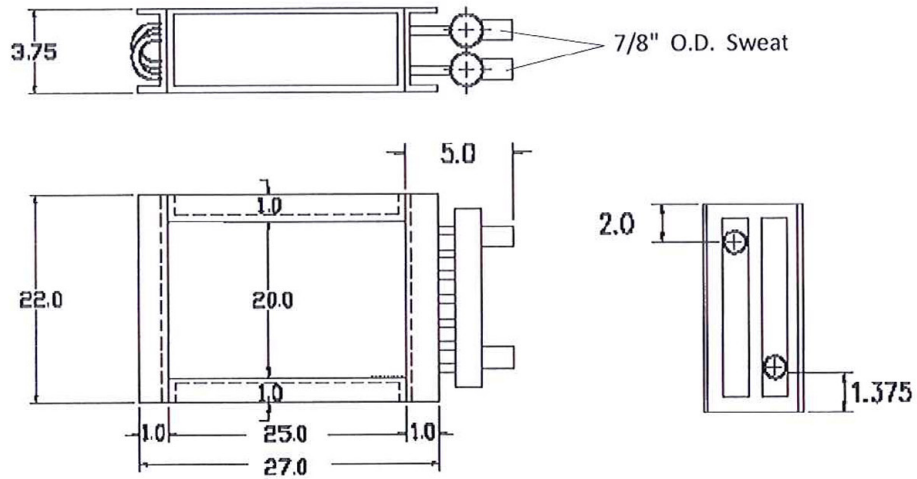


DHT 2025-3 SERIES

FLANGED DUCT COILS

Specification Sheet



Model: DHT-2025-3				60 °F Entering Air		
E.W.T.	GPM	P.D. FT	CFM	MBTUH	L.A.T. °F	L.W.T. °F
180 °F	10	4.9	1500	112.67	129.3	156.9
			2000	131.96	120.8	153
			2500	147.46	114.4	149.8
	15	10.96	1500	118.2	132.7	163.8
			2000	140.08	124.6	160.8
			2500	158	118.3	158.4
	20	19.42	1500	121.18	134.5	167.6
			2000	144.5	126.6	165.2
			2500	163.96	120.5	163.2

