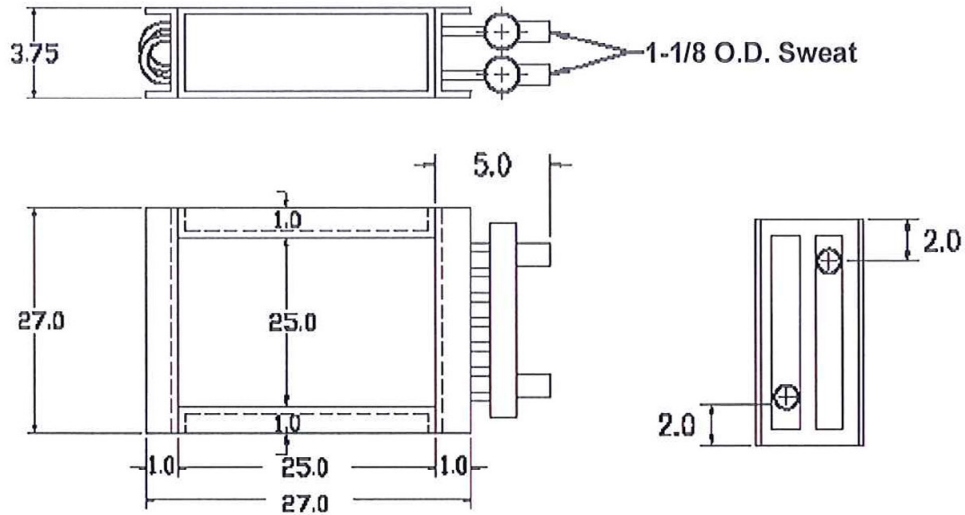


DHT 2525-3 SERIES

FLANGED DUCT COILS

Specification Sheet



Model: DHT-2525-3				60 °F Entering Air		
E.W.T.	GPM	P.D. FT	CFM	MBTUH	L.A.T. °F	L.W.T. °F
180 °F	15	5.12	2000	157.1	132.4	158.5
			2500	178.2	125.8	155.6
			3000	196.2	120.3	153.2
	20	6.40	2000	162.3	134.8	162.3
			2500	185.3	128.4	161.1
			3000	205.1	123.1	159.0
	25	7.50	2000	165.6	136.3	166.4
			2500	189.9	130	164.4
			3000	210.9	124.8	162.7

