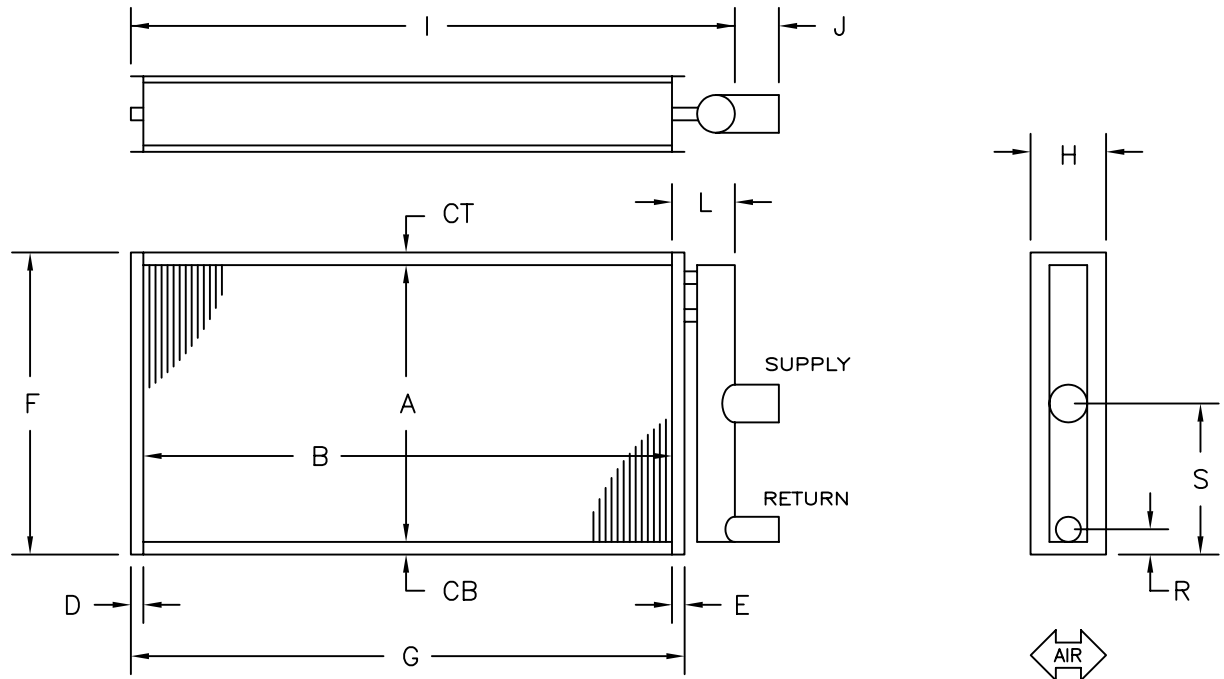




Diversified Heat Transfer, Inc
 Lindy Coil Central Water Heaters*Lindy Heat
 Exchangers*DHT Heating & Cooling Coils
 (P) 718-386-6666 (F) 718-386-7809
 www.dhtnet.com



ROWS: 5/8 - 1, 2 1 1/8 - 1	FINS: 5/8 - 6 thru 14 1 1/8 - 6 thru 14
----------------------------------	---

TUBE WALL		FINS		CASING
5/8 OD	1 1/8 OD	5/8 OD	1 1/8 OD	
.025	.035	.008AL	.010AL	16ga GV
.035	.049	.010AL		
.049		.006CU	.010CU	16ga SS
		.008CU	.010CU	

HEADERS & TUBES - COPPER ONLY

ITEM	SUPPLY	RETURN	CONNECTIONS	
1			RED BRASS	COPPER
2			MPT	MPT
3				FPT
4				SWT

DIMENSIONAL DATA IN INCHES

	QTY	ROWS	FPI	A	B	CT	CB	D	E	F	G	H	I	J	L	S	R
1																	
2																	
3																	
4																	

MODEL NO.				CUST.				TAG:				
1				REP.				PURCHASE ORDER NO.				
2				APP	PRINTS	DATE		SHOP ORDER NO.				
3				FOR APPROVAL		DRAWING NO.		STM DISTRIBUTING				
4				FOR RECORD		NS-						