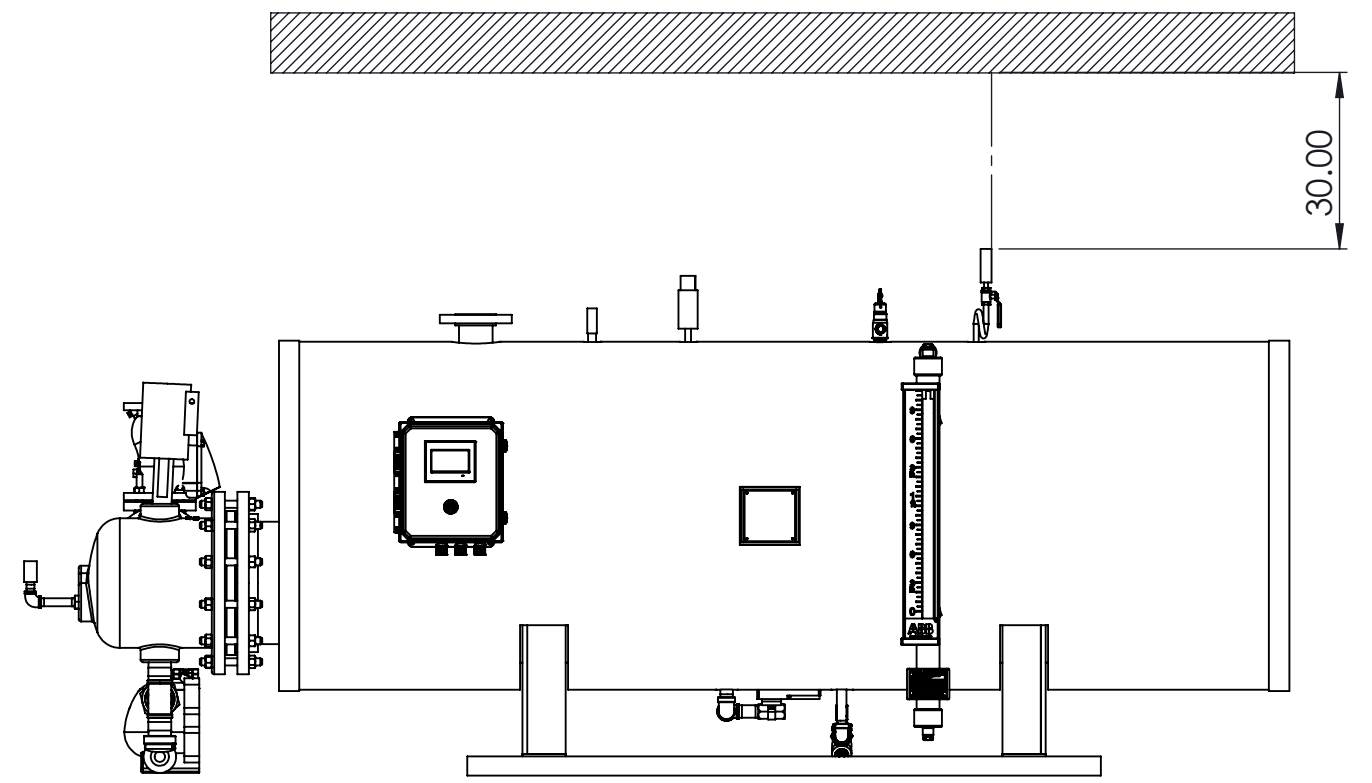
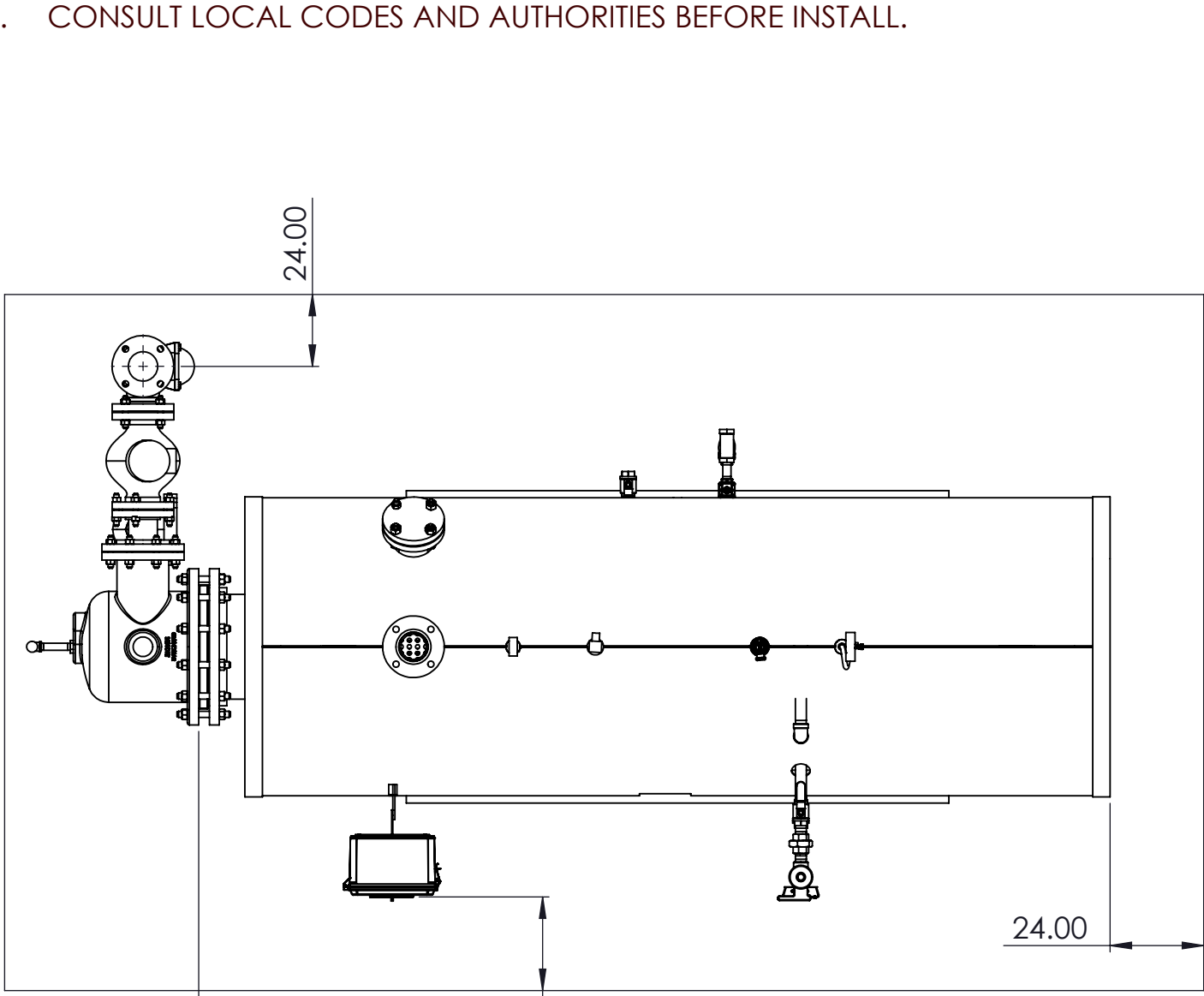


NOTES:

1. ALL DIMENSIONS ARE IN INCHES [MM]
2. SPACE NECESSARY FOR TUBE BUNDLE REMOVAL WILL BE DETERMINED BY BUNDLE LENGTH
3. THIS DRAWING SHOWS MINIMUM RECOMENDED SERVICE CLEARANCE DIMENSIONS
4. REFER TO THE SSH DIMENSIONAL DRAWING FOR FULL UNIT DIMENSIONS
5. DHT RESERVES THE RIGHT TO MODIFY THE DIMENSONS WITHOUT PRIOR NOTICE
6. CONSULT LOCAL CODES AND AUTHORITIES BEFORE INSTALL.



THIS CLEARANCE DIMENSION  
MUST BE , AT MINIMUM,  
THE LENGTH OF THE BUNDLE

DIMENSIONS ARE SHOWN IN INCHES [CENTIMETERS]  
TOLERANCES ARE AS FOLLOWS UNLESS OTHERWISE SPECIFIED  
X.XX X.XXX X.XXXX ANGULAR FINISH  
±.12 ±.031 ±.0156 ±1.0° 250  
REMOVE AND DEBURR SHARP EDGES AND CORNERS  
ALL DIMENSIONS ARE AFTER FINISH OR PLATING  
REFERENCE DIMENSIONS ARE SHOWN IN PARENTHESES ( )  
CRITICAL DIMENSIONS ARE SHOWN IN ◯

THIS DRAWING AND/OR SPECIFICATIONS ARE THE PROPERTY OF DIVERSIFIED HEAT TRANSFER INC. THIS CONFIDENTIAL AND PROPRIETARY INFORMATION SHALL NOT BE USED, COPIED OR REPRODUCED IN ANY MEANS AS THE BASIS FOR MANUFACTURE OR SALE OF APPARATUS WITHOUT WRITTEN AUTHORIZATION FROM OWNER.



PHONE: (800) 221-1522 FAX: (718) 386-7809

TITLE  
SUPERSTEAM HORIZONTAL -  
INSTALLATION CLEARANCE

REV.	ECO.	REVISION DESCRIPTION	NAME	DATE

THIRD ANGLE PROJECTION	DWG. SCALE	MATERIAL SPEC:	NAME	DATE	DWG#	REV
	1:50		BS	7/7/22	SSH-C	A/1
			CHECKED BY		SHEET 1 OF 1	

4

3

2

1

B

B

A

A