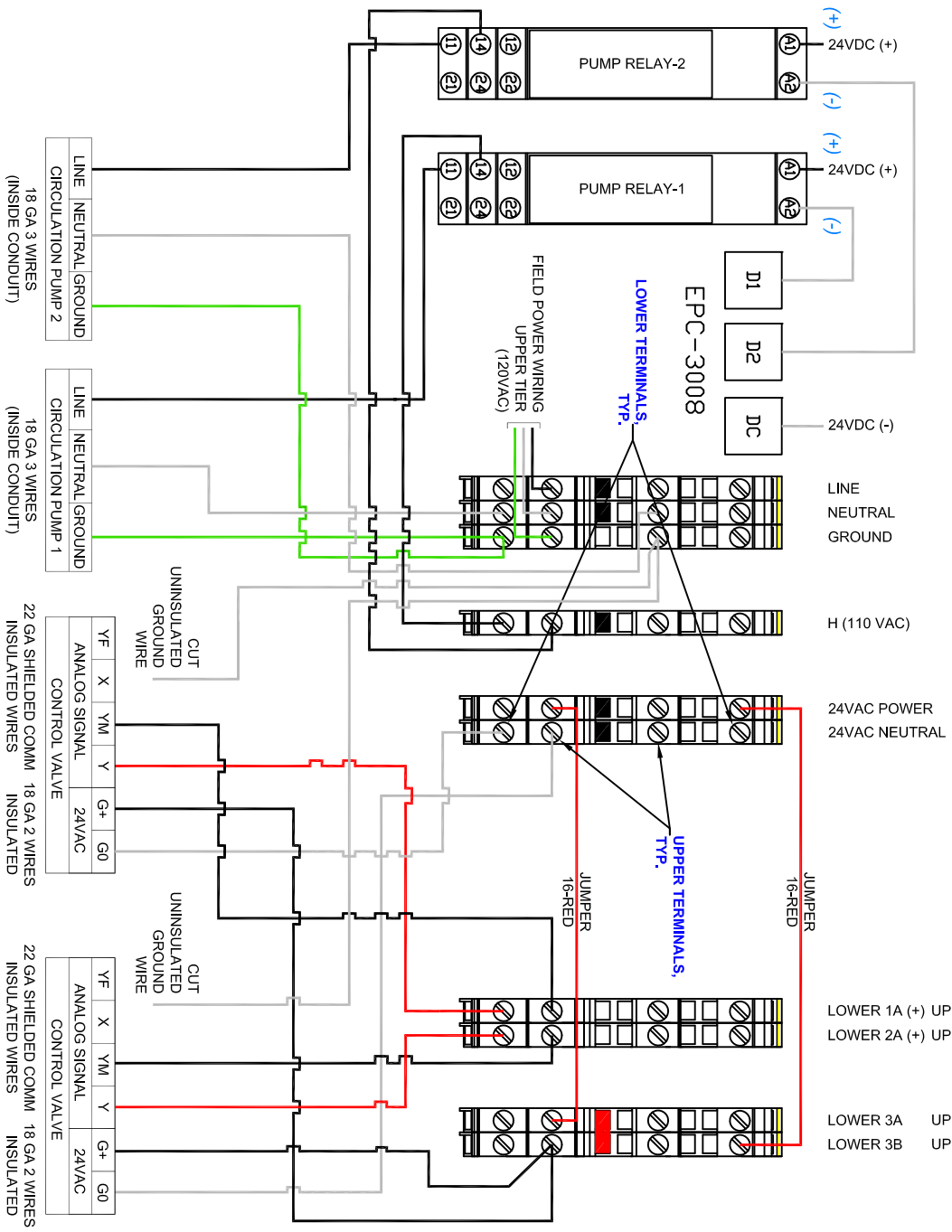
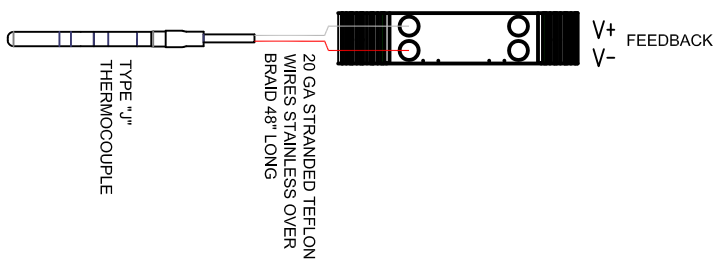
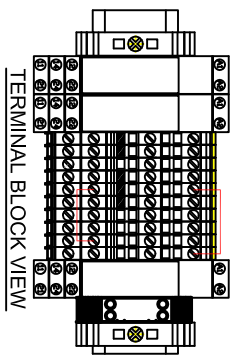




****TERMINAL BLOCKS ARE DOUBLE-LEVEL TYPE****



JUMPER 16-RED
 LOWER 1A (+) UPPER 1B (-)
 LOWER 2A (+) UPPER 2B (-)
 LOWER 3A UPPER AQ1
 LOWER 3B UPPER AQ2



FIELD WIRING (CONTACTS 11 & 14)

CONTROL VALVE DIP SWITCH SETTINGS	1	2	3	4
	UP	UP	UP	DOWN

- NOTES:**
1. UNIT SHUTS DOWN UPON LOSS OF ELECTRICAL POWER SUPPLY.
 2. DO NOT ROUTE COMMUNICATION WIRING AND MAIN POWER WIRING INSIDE SAME CONDUIT.
 3. INSTALL EXTERNAL DEDICATED SINGLE POLE, 10 AMP SHUTOFF SWITCH & CIRCUIT BREAKER IN SERIES WITH THE ELECTRICAL POWER TO THE CONTROL PANEL OF THE UNIT.
 4. CONSULT LOCAL AND NATIONAL ELECTRICAL CODES AND STANDARDS.
 5. DIP SWITCH SETTINGS ON CONTROL VALVE SHOULD MATCH AS SHOWN ON THIS DRAWING.
 6. FAULT RELAY HAS ONE SET OF NORMALLY OPEN CONTACTS AND ONE SET OF NORMALLY CLOSED CONTACTS AVAILABLE FOR FIELD WIRING.
 7. CIRCULATION PUMP-2 AND CONTROL VALVE-2 (OR OPTIONAL VFD PUMP-2) ARE WIRED ONLY IN CASE OF DUPLEX STP UNITS FOR SECOND HEAT EXCHANGER ON TOP.

DIVERSIFIED
 CHT HEAT TRANSFER, INC.

439 MAIN RD. TOWACO NJ 07082
 PHONE: (800) 221-1522 FAX: (855) 221-2400

STP SERIES		ELECTROMAGNETIC CONTROL VALVES	
ELECTRICAL WIRING SCHEMATIC DRAWING		ELECTRICAL WIRING SCHEMATIC DRAWING	
DRAWN BY	SS	DATE	07/9/2019
CHECKED BY		DWG.#	S-40
		REV	B