

4

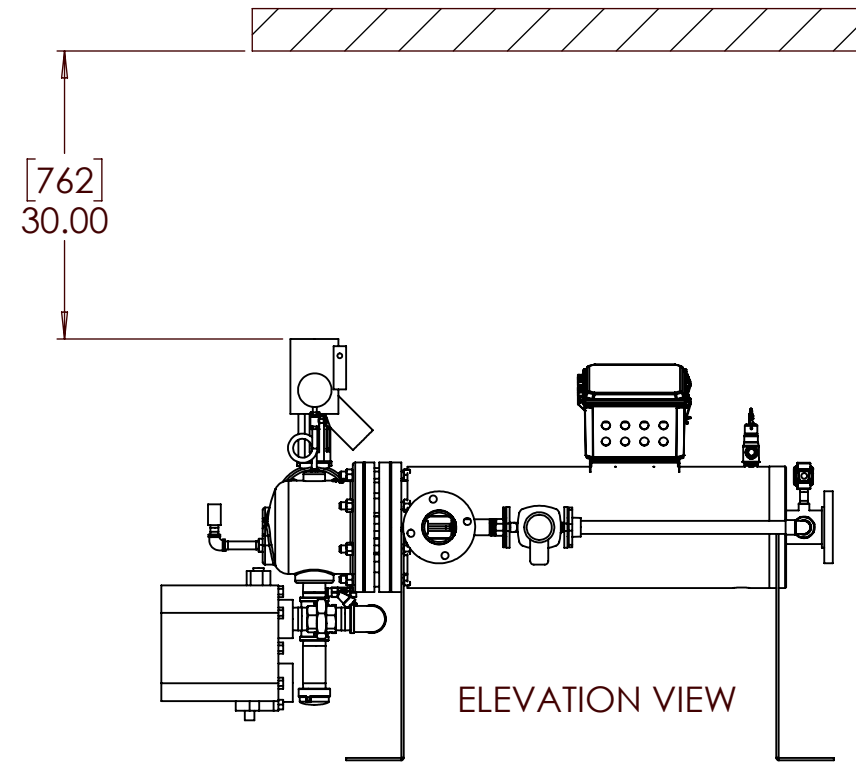
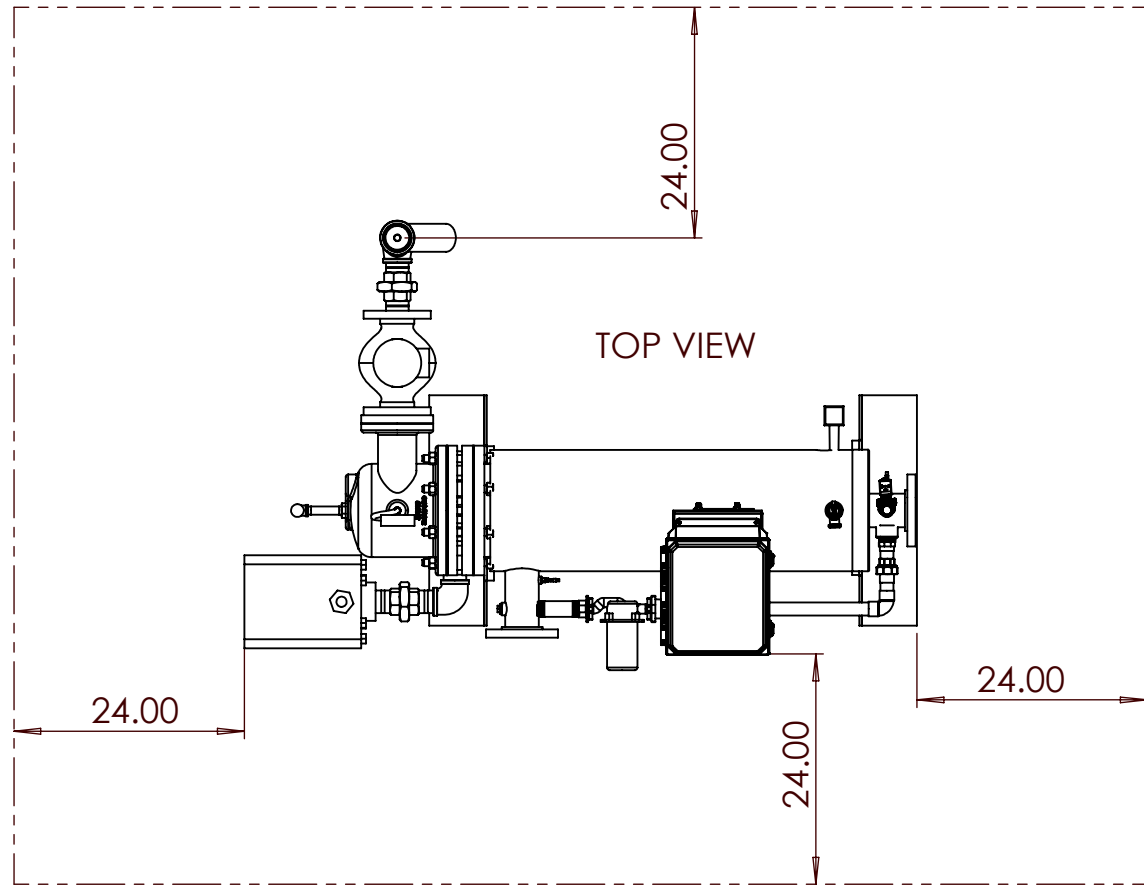
3

2

1

NOTES:

- 1. ALL DIMENSIONS ARE IN INCHES [MM]
- 2. 54 INCHES CLEARANCE NECESSARY FOR TUBE BUNDLE REMOVAL
- 3. THIS DRAWING SHOWS MINIMUM RECOMENDED SERVICE CLEARANCE DIMENSIONS
- 4. REFER TO THE SP DIMENSIONAL DRAWING FOR FULL UNIT DIMENSIONS
- 5. DHT RESERVES THE RIGHT TO MODIFY THE DIMENSONS WITHOUT PRIOR NOTICE
- 6. CONSULT LOCAL CODES AND AUTHORITIES BEFORE INSTALL.



439 MAIN RD. TOWACO NJ 07082  
 PHONE: (800) 221-1522 FAX: (718) 386-7809

TITLE  
 SUPERTHERM HORIZONTAL WATER  
 HEATER, STEAM TO WATER

	NAME	DATE	DWG#	REV
DRAWN BY	JAC	10/3/19	.	.
CHECKED BY	.	.	SHEET 1 OF 1	.

4

3

2

1

B

B

A

A