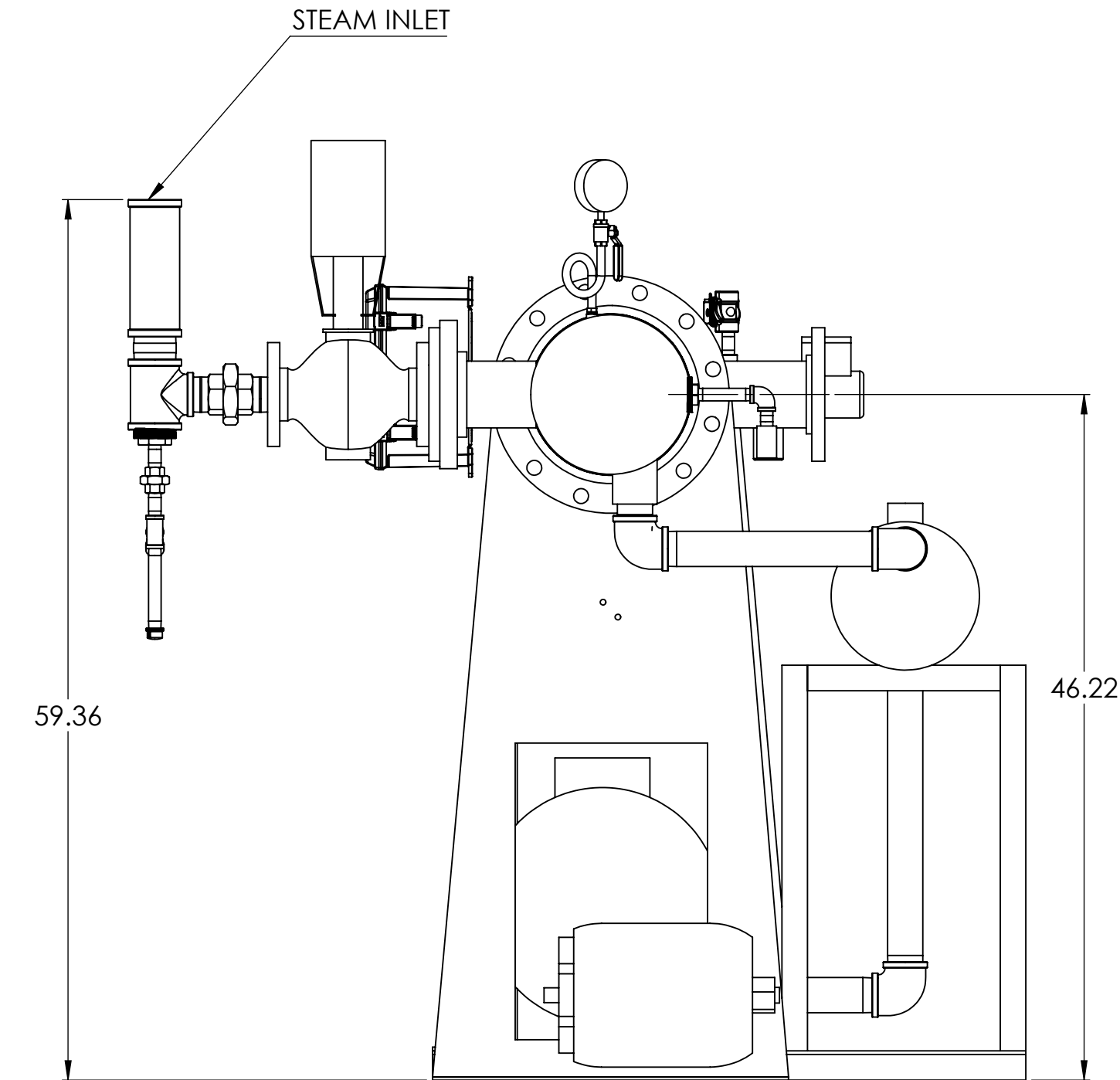
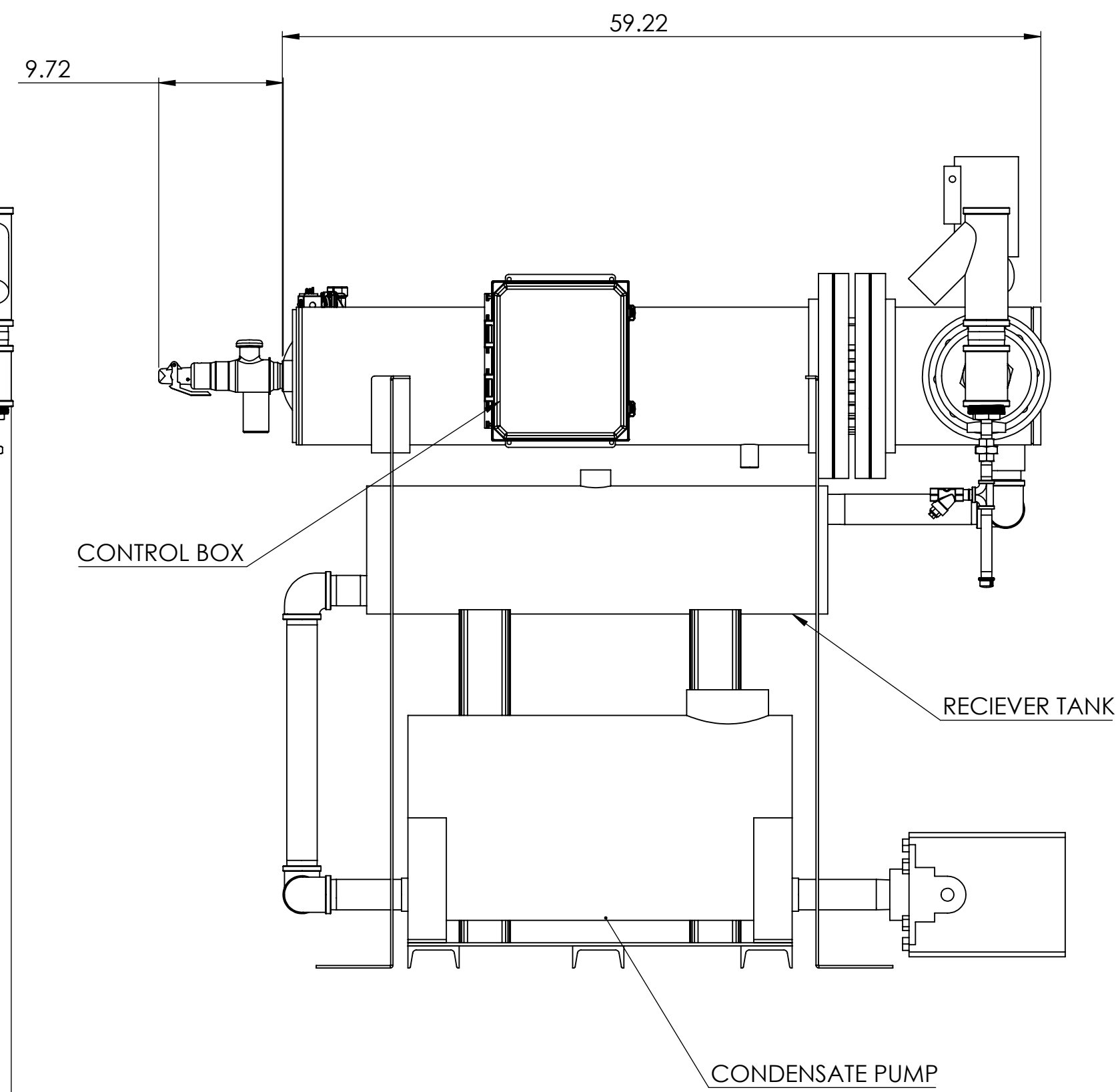
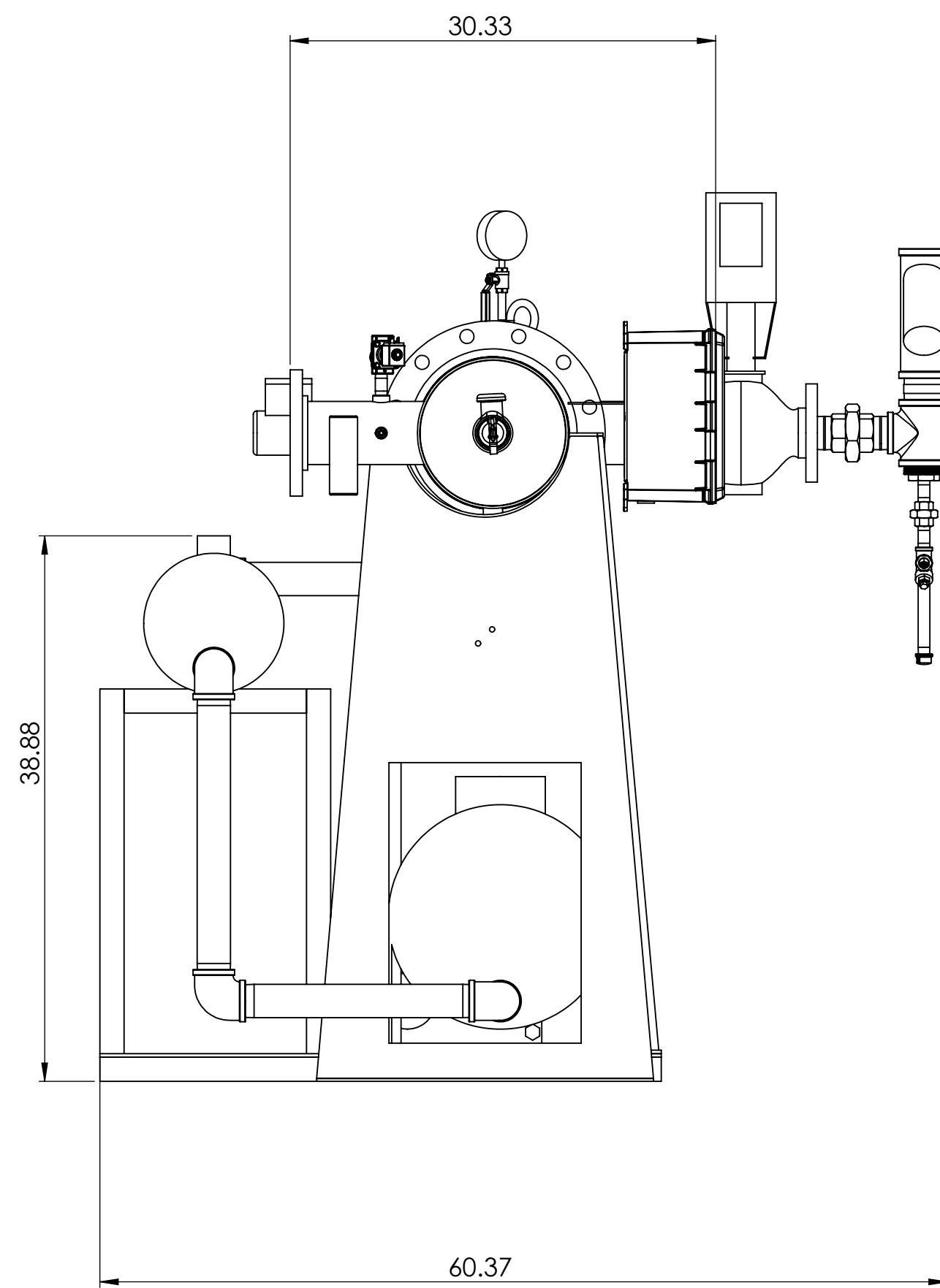
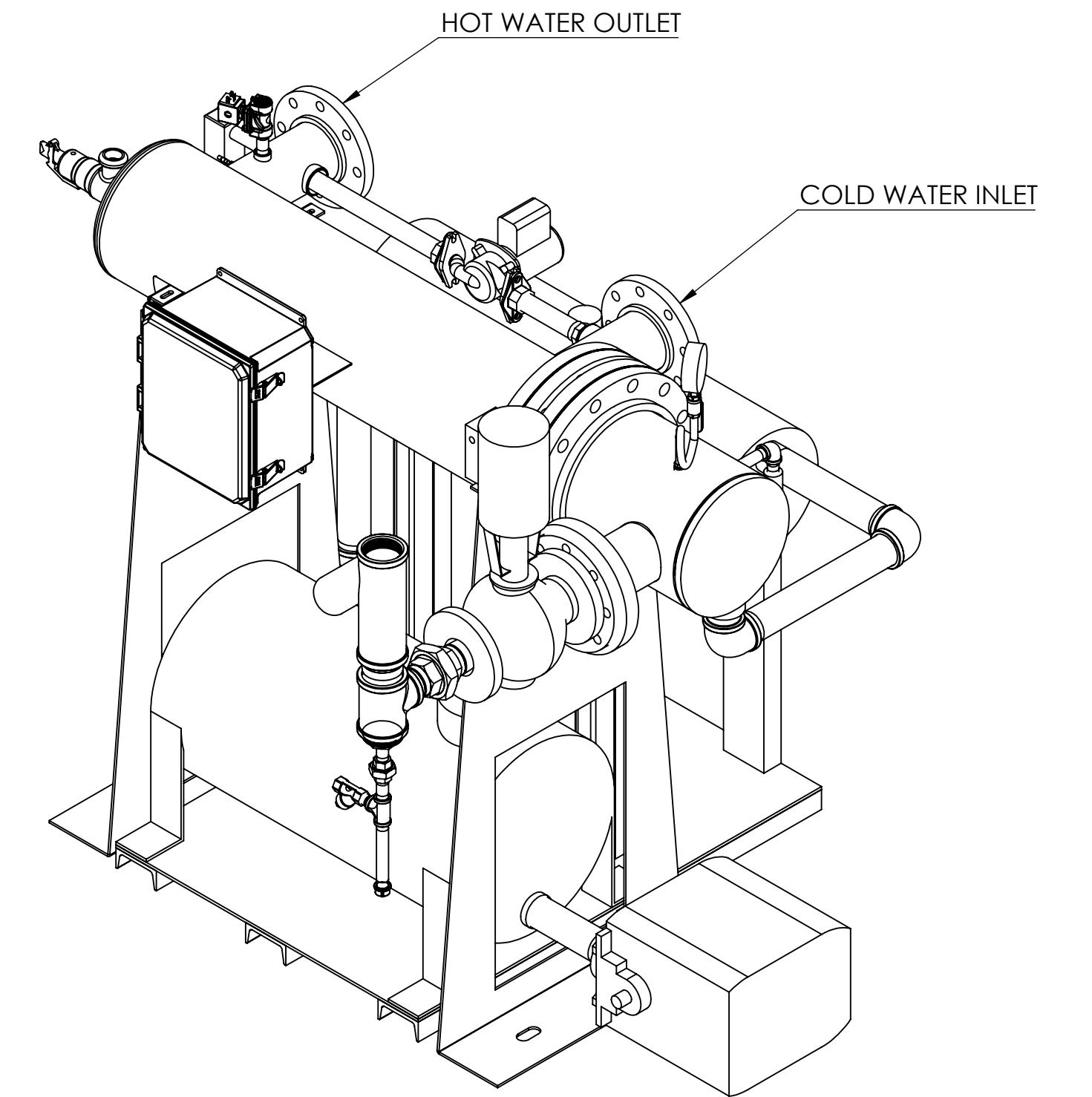
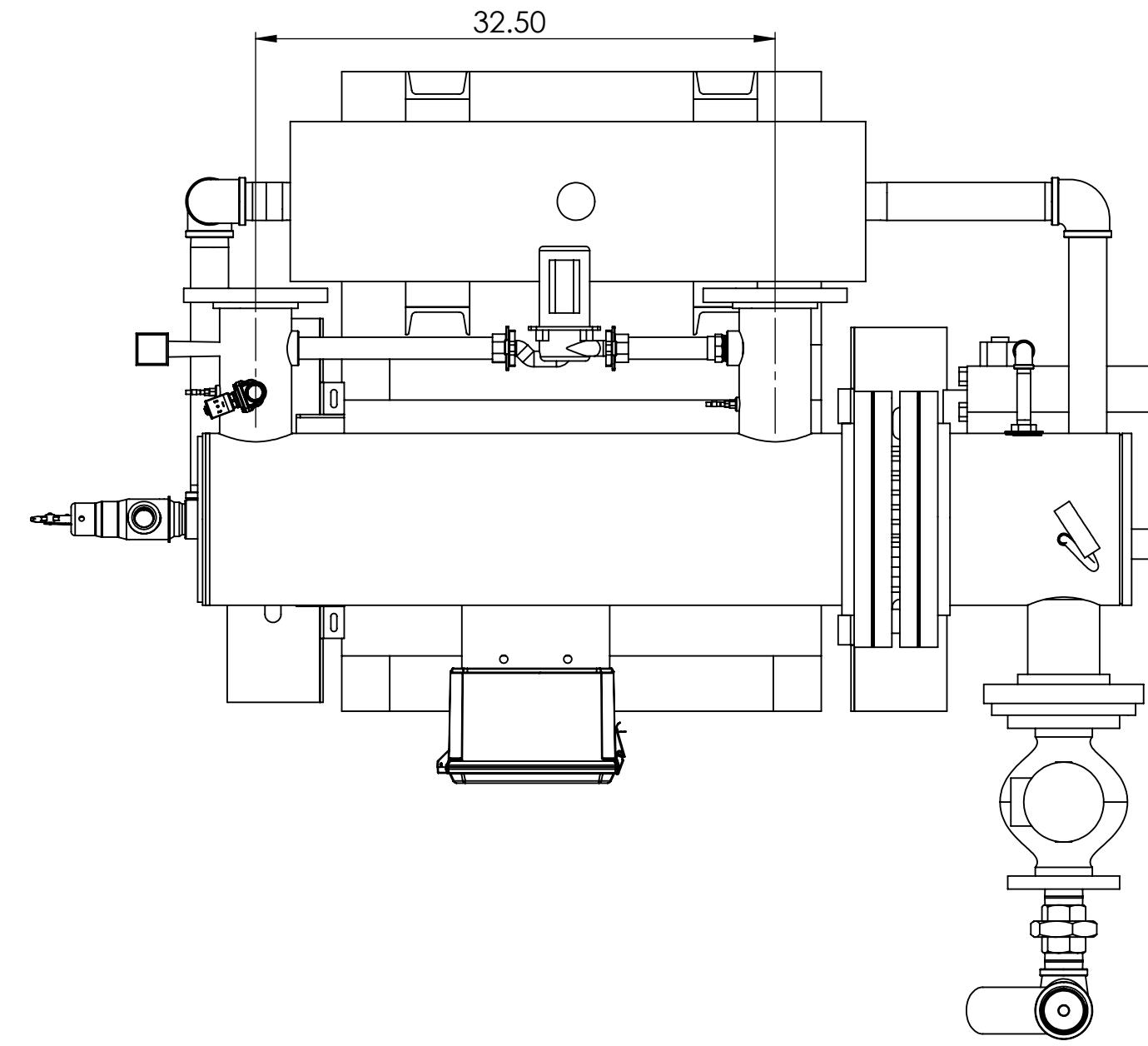


DIMENSIONS SUBJECT TO CHANGE

FLANGES:  
8" UNIT - 3" FLANGE  
10" UNIT - 4" FLANGE



**DIVERSIFIED**  
DHT HEAT TRANSFER, INC.  
439 MAIN RD. TOWACO NJ 07082  
PHONE: (800) 221-1522 FAX: (718) 386-7809

TITLE  
SUPER THERM HORIZONTAL  
WITH CONDENSATE PUMP SKID

THIRD ANGLE PROJECTION 	DWG. SCALE	MATERIAL SPEC:	NAME	DATE	DWG#	REV
	1:20	SEE NOTES	.	11/8/19	BLUEGRASS	1
			CHECKED BY	.	.	SHEET 1 OF 1