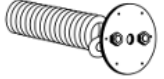


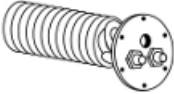
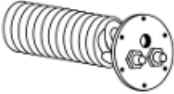


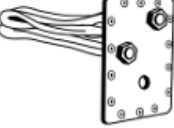


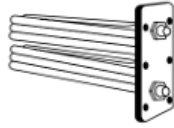

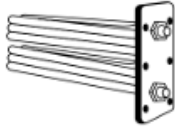

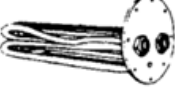
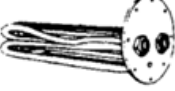
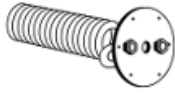


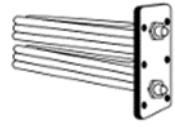
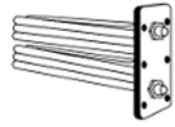
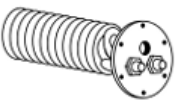
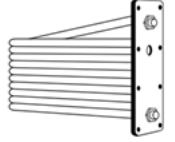
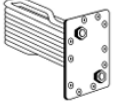
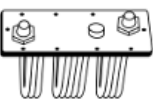
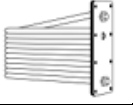
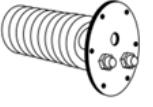
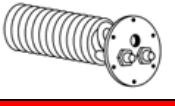
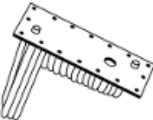



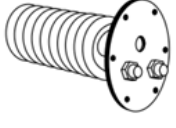
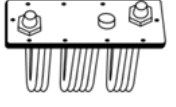
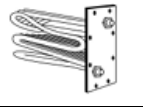
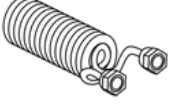
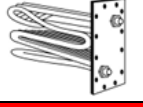
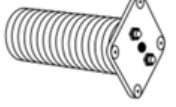

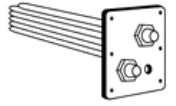
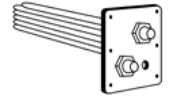
# RESIDENTIAL TANKLESS COILS

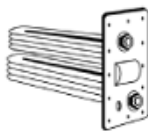

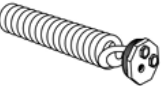
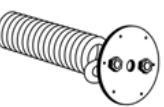
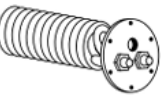
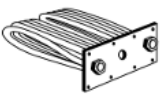
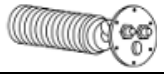
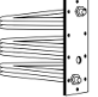
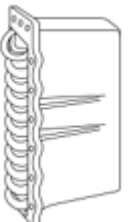
Price List – July 18, 2022

BOILER SERIES		HEATER NUMBER	RES	TRADE PRICE \$
<b>AMERICAN</b>				
	ARCOLEADER 8" DIA.-6 BH	700-5	5	525
		700-6	6	594
		700-8	8	744
		700-10	10	878
	ARCOLINER-N.B. 4" IPS SCREW TYPE	603-4	4	457
		604-5	5	528
		605-6	6	624
	ARCOLINER-N.B. WIDE BACK 6½ X 17 ¼ - 14 BH	589-5	5	551
		589-6	6	608
		589-8	8	859
	A-3, FRA-3, APT, PFA-3, G-2, G-40 7½ DIA. - 6 BH	A3-5	5	447
		A3-6	6	503
		A3-8	8	673
	A-3, FRA-3, APT, PFA-3, G-2, G-40 7½ DIA. - 6 BH	A3-10	10	834
		A3-12	12	1151
		A3-15	15	1382
	A-5 FRA-5 4½ X 14½-8 BH *Water Only	A5-4	4	492
		A5-5	5	526
		A5-6	6	603
		A5-7	7	689
	A-5 FRA-5 4½ X 14½-8 BH *Water Only	*A5-8	8	839
		593-6	6	772
		593-8	8	914
		593-10	10	1044
	EXBROOK 10 X 13½ - 14 BH	593-12	12	1231
		593-15	15	1540
		G10-5	5	548
		G10-6	6	689
	5 ½ X 12-8 BH *Water Only	G10-8	8	780
		585-5	5	943
		585-6	6	973
	OAKMONT 8-11 CAST IRON SHELL 8 X 19 ½ - 17 BH *STEEL SHELL	585-8	8	1199
		585-10	10	1477
		585-12	12	1716
		*585-15	15	2245
	PFA-5 5 ¾ X 11-6 BH	PFA-5	5	545
		PFA-6	6	606
		PFA-8	8	761
		PFA-10	10	971
		PFA-12	12	1142

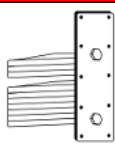
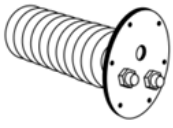
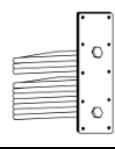

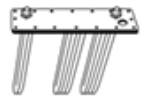

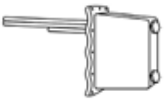

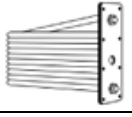

BOILER SERIES		HEATER NUMBER	RES	TRADE PRICE \$
<b>AMERICAN</b>				
	SEVERN 7 ½ X 13½ - 12BH *Extended Shell	590-5	5	1064
		*590-6	6	792
		*590-8	8	1013
		*590-10	10	1175
<b>BURNHAM</b>				
	FIESTA, FIESTA II, LIBERTY 8 ½ X 12 ½ -10BH	FT-5	5	555
		FT-6	6	704
		FT-8	8	859
	JUBILEE 100 HOLIDAY 60-61-62 PM-PB-PP HOLIDAY 6-72 GAS 7½" - 6BH Water Boilers	100-5	5	507
		100-6	6	526
		100-8	8	762
		100-10	10	887
		100-12	12	1067
	HOLIDAY 70-80-81 PACEKING-FR SPECIFY STEAM OR WATER 10½" DIA.-8 BH	100-15	15	1340
		PK-5	5	631
		PK-6	6	689
		PK-8	8	862
		PK-10	10	1029
	HOLIDAY 70-80-81 PACEKING-FR SPECIFY STEAM OR WATER 10½" DIA.-8 BH	PK-12	12	1231
		PK-15	15	1543
		PK-18	18	1746
		PK-20	20	2096
		PK-25	25	2535
	JUBILEE 200-FR Water Boilers 8" DIA.-6BH	BJW-5	5	526
		BJW-6	6	565
		BJW-8	8	772
		BJW-10	10	988
	JUBILEE 200-FR Steam Boilers 8" DIA.-6 BH	BJS-4	4	538
		BJS-5	5	582
		BJS-6	6	649
		BJS-8	8	822
	PACEMAKER HOL. 60-61 Steam Boilers 7½ DIA.-6 BH	100S-4	4	528
		100S-5	5	590
		100S-6	6	679
	PF-5 5¾ X 11-6 BH	PF-5	5	544
		PF-6	6	606
		PF-8	8	761
		PF-10	10	970
	PF-5 5¾ X 11-6 BH	PF-12	12	1142

BOILER SERIES		HEATER NUMBER	RES	TRADE PRICE \$
<b>BURNHAM</b>				
	V8 WATER ONLY V3 WATER OR STEAM V7, VP, PF3 PATRIOT - FREEDOM 6 MEGASTEAM 7 ½ DIA.-6 BH	V8W-5	5	447
		V8W-6	6	503
		V8W-8	8	673
		V8W-10	10	834
		V8W-12	12	1151
		V8W-15	15	1382
	V8 STEAM V7 STEAM V1 STEAM OR WATER 5 X 12¼ - 8 BH *V9 Must specify	V8S-5	5	471
		V8S-6	6	523
		V8S-8	8	724
		V8S-10	10	962
		*V8S-12	12	1131
		*V8S-15	15	1372
		V11-8	8	755
	V11 6 3/16 x 12 3/8-8BH	V11-10	10	971
		V11-12	12	1131
		V11-15	15	1376
	YELLOW JACKET 7 X 9¼-10 BH	YJ-5	5	555
		YJ-6	6	704
		YJ-8	8	859
<b>CROWN</b>				
	CDB BON-AIR EMPIRE ULTIMATE 6¼ X 11 ¼-10BH	CDB-5	5	495
		CDB-6	6	532
		CDB-8	8	750
	KINGSTON 5 X 12¼ - 8 BH	CK-5	5	470
		CK-6	6	531
		CK-8	8	724
	MONTEGO 8" DIA.-6 BH	CDM-5	5	514
		CDM-6	6	538
		CDM-8	8	758
		CDM-10	10	841
	TOBAGO CAYMAN BAHAMA 7 ½ DIA.-6 BH	TW-5	5	447
		TW-6	6	503
		TW-8	8	673
<b>DELCO FLAT PLATE TYPE</b>				
	DB 3-4-5 8 ¾ X 20-16 BH *SHELL TYPE	DP-6	6	665
		DP-8	8	933
		*DP-10	10	1630
		*DP-12	12	1718
<b>DUNKIRK</b>				
	13 STEAM 2D-GAS 6¼ X 17-14 BH	13S-5	5	532
		13S-6	6	565
		13S-8	8	777

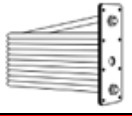
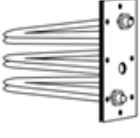
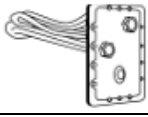

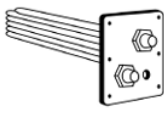
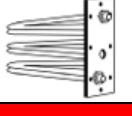
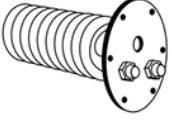
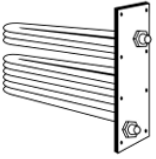
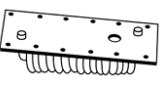
BOILER SERIES		HEATER NUMBER	RES	TRADE PRICE \$
<b>DUNKIRK</b>				
	LEXINGTON SUPER-13 8" DIA.-6 BH	1342-4	4	478
		1342-5	5	498
		1342-6	6	555
		1342-8	8	800
		1342-10	10	988
	ULTIMATE 6¼ X 11¼ - 10BH	ULT-5	5	495
		ULT-6	6	532
		ULT-8	8	750
		ULT-10	10	834
	EMPIRE STEAM 6¼ X 10½-8 BH	ESC-5	5	503
		ESC-6	6	549
		ESC-8	8	806
<b>DUNKIRK-DELCO-FEDERAL-PARAGON-PIETRO-C.I. BLR</b>				
	DUNKIRK 13W- 15W-S DELCO 525- 1260 FED.OXFORD JUPITER 2¾" - 5" - 7" *SPECIFY CONN. CTRS.	PN-4	4	508
		PN-5	5	529
		PN-6	6	553
		PN-8	8	843
<b>HART &amp; CROUSE- BRYANT</b>				
	COMPACT 230-231-234 5¼ X 12-12 BH	HC-4	4	523
		HC-5	5	586
		HC-6	6	638
<b>H.B. SMITH</b>				
	PAC 12-FD SERIES 8 WATER 7¼ X 7¼-4 BH	8W-4	4	438
		8W-5	5	508
		8W-6	6	600
		8W-8	8	772
		8W-10	10	930
	SERIES 8 STEAM 4 OR 5 GPM ONLY 7 ¼ X 7 ¼-4 BH	8S-4	4	434
		8S-5	5	459
		28-6	6	526
	28 STEAM BLRS 7¼ X 8½-6 BH	28-8	8	778
		28-10	10	910
		28-12	12	1003
		28-15	15	1302
			18-19 SERIES 5¼ X 12-6BH	ST19-6
ST19-8	8			778
ST19-10	10			910
ST19-12	12			1003
ST19-15	15			1302

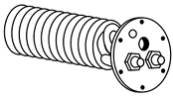
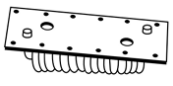
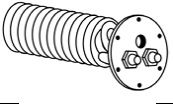
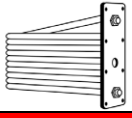
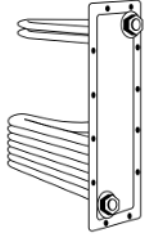
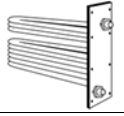
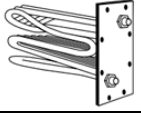
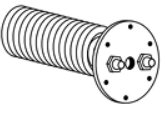
BOILER SERIES	HEATER NUMBER	RES	TRADE PRICE \$
<b>H.B. SMITH</b>			
	2025-6	6	649
	2025-8	8	933
	2025-10	10	1076
	2025-12	12	1221
	2025-15	15	1536
	2025-20	20	2053
	2025-25	25	2343
	1115-5	5	610
	1115-6	6	659
	1115-8	8	868
	1115-10	10	1009
	4-4	4	457
	4-5	5	528
	4-6	6	624
	4-8	8	826
	4-10	10	968
	4-12	12	1126
	4-15	15	1240
	14-5	5	551
	14-6	6	572
	14-8	8	797
	14-10	10	1005
<b>HYDROTHERM</b>			
	AQ-5	5	509
	AQ-6	6	548
	AQ-8	8	837
	OS-5	5	508
	OS-6	6	548
	OS-8	8	837
	VO-5	5	492
	VO-6	6	532
	VOA-5	5	508
	VOA-6	6	555
	VOA-8	8	813
<b>NATIONAL-U.S.-CRANE</b>			
	921-5	5	943
	921-6	6	973
	921-8	8	1199
	921-10	10	1477
	921-12	12	1716
	*921-15	15	2245
	*921-20	20	2726

BOILER SERIES	HEATER	RES	TRADE
---------------	--------	-----	-------

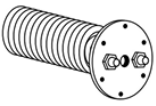
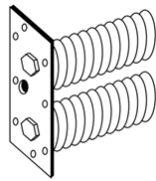
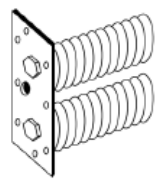
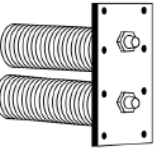
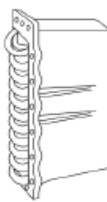
		NUMBER		PRICE \$
<b>NATIONAL-U.S.-CRANE</b>				
	NAT.-U.S. SUNRAY IV-19 CRANE-5 THATCHER-OC 6½ X 17½-10BH	19-5	5	531
		19-6	6	582
		19-8	8	868
		19-10	10	1029
	NAT.-U.S. 17-18 70-101-109-209 300 CRANE-2-8-11-12 202-300-302 Thatcher-G-OP 7¼ DIA.-6 BH	104-4	4	464
		104-5	5	488
		104-6	6	529
		104-8	8	739
		104-10	10	973
		104-12	12	1085
	NAT.-U.S. 109SS-SW 200SS-SW CRANE-202SS-SW 7¼ X 15¼-12 BH	109SS-4	4	514
		109SS-5	5	629
		109SS-6	6	659
		109SS-8	8	890
	CRANE 15-26 6" DIA.-4 BH	15-4	4	486
		15-5	5	511
		15-6	6	581
		15-8	8	795
	NAT.-U.S. 12-12W Flange type 7 x 22½-16BH	12-5	5	631
		12-6	6	689
		12-8	8	912
	NAT.-U.S. SUNRAY 1-3-46 6½ X 16¼-13 BH	119-5	5	633
		119-6	6	696
		119-8	8	931
	CRANE 14-20 7½ X 13½-12 BH *Specify extended shell	1420-5	5	679
		1420-6	6	772
		*1420-8	8	1013
		*1420-10	10	1175
	CRANE 16 5 ½ x 12-10 BH	16-5	5	679
		16-6	6	772
		16-8	8	1013
		16-10	10	1175
	73 70SS-SW 5 X 12½-8 BH	73-5	5	526
		73-6	6	576
		73-8	8	813
	NAT.-U.S. CRANE 80 11¼" DIA.-8 BH	80-6	6	761
		80-8	8	862
		80-10	10	1052
		80-12	12	1240
		80-15	15	1576
		80-20	20	1848
		80-25	25	2309

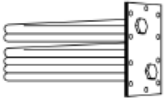
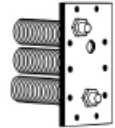
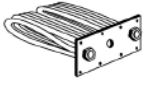
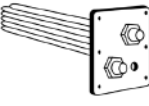

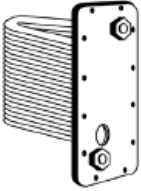
BOILER SERIES	HEATER NUMBER	RES	TRADE PRICE \$
---------------	---------------	-----	----------------

NEW YORKER						
	NEW YORKER CLW-WATER CLS-STEAM 5 X 12½ - 8 BH	CL-5	5	471		
		CL-6	6	523		
		CL-8	8	755		
PEERLESS - STEAM						
	ECT-STEAM 5 3/16 X 9 7/8-8 BH *SHELL INCLUDED	ECT-5	5	451		
		ECT-6	6	519		
		ECT-8	8	727		
		ECT-10	10	897		
		*ECT-12	12	2257		
		*ECT-15	15	2511		
	HEO-STEAM OR WATER 7 ¼ X 11-8 BH	HEO-5	5	475		
		HEO-6	6	525		
		HEO-8	8	733		
	JO-JOT-2-2T- STEAM 6 ¼ X 14¼-12 BH	JOT-5	5	459		
		JOT-6	6	519		
		JOT-8	8	727		
		JOT-10	10	897		
	TC SERIES STEAM OR WATER 7½ X 8½-6BH	TC-6	6	526		
		TC-8	8	778		
		TC-10	10	910		
		TC-12	12	1003		
		TC-15	15	1302		
	WBV-STEAM 5 9/16 X 9 7/8-8 BH	WBV-5	5	451		
		WBV-6	6	519		
		WBV-8	8	727		
PEERLESS - WATER						
	JO-JOT-FD-LC 2-2T 7-7PF 60-61-81 WBV WATER ECT-STEAM 8" DIA.-6 BH	PR-5	5	456		
		PR-6	6	495		
		PR-8	8	721		
		PR-10	10	850		
		PR-12	12	937		
		PR-15	15	1113		
		PR-20	20	1420		
		RICHMOND-RHEEM-RUDD				
	RHEEM-G-O-PO RICHMOND-RWA H-WFD-R-RW-PR 5 ¼ x 13 ½ -8 BH	RR-5	5	456		
		RR-6	6	555		
		RR-8	8	813		
		RO-5	5	516		
	RICHMOND-RWA H-WFD-R-RW-PR 5 ¼ x 15 ½ -10 BH	RO-6	6	555		
		RO-8	8	813		
		SLANT FIN				
			GALAXY MALIBU 8¼ X 15½-12BH	SF-5	5	471
SF-6	6			531		
SF-8	8			814		
SF-10	10			963		
BOILER SERIES	HEATER NUMBER	RES	TRADE PRICE \$			

SLANT FIN					
	LIBERTY WATER INTREPID 7 ½" DIA.6 BH	LW-4	4	476	
		LW-5	5	453	
		LW-6	6	518	
		LW-8	8	765	
	LIBERTY STEAM BOILERS INTREPID 8 1/8 X 15 15/16-12 BH	LS-5	5	510	
		LS-6	6	526	
		LS-8	8	806	
		LS-10	10	957	
	VANTAGE II FUTURA 7 ½" DIA.-6 BH	FUT-5	5	519	
		FUT-6	6	542	
		FUT-8	8	814	
	78 5 X 12½-8 BH	78-5	5	526	
		78-6	6	576	
		78-8	8	909	
THATCHER					
	015 THRU 020 6 X 20% -12 BH	T-5	5	659	
		T-6	6	679	
		T-8	8	921	
		T-10	10	1074	
	56 SERIES 7¼ X 19-14 BH	56-5	5	659	
		56-6	6	679	
		56-8	8	921	
	525 SERIES 6¼ X 14¼-12BH	525-5	5	659	
		525-6	6	679	
		525-8	8	921	
	GOLDEN OILMASTER	WATER BOILERS SAME AS BURNHAM BJW			
		STEAM BOILERS SAME AS BURNHAM BJS			
T.F. GAS	SAME AS BURNHAM HOLIDAY 70-80				
UTICA-RADIATOR					
	STARFIRE ACE-OU 5¼ X 13½-8 BH	UST-5	5	508	
		UST-6	6	555	
		UST-8	8	813	
	STARFIRE II, III-STEAM B-C OIL-GAS, POBT 6½ X 10½-8 BH	STS-5	5	503	
		STS-6	6	549	
		STS-8	8	806	
	STARFIRE II, III-WATER 7¼ DIA.-6 BH	STW-4	4	456	
		STW-5	5	459	
		STW-6	6	526	
		STW-8	8	770	

BOILER SERIES	HEATER	RES	TRADE
---------------	--------	-----	-------

		NUMBER		PRICE \$
<b>WEIL-MCLAIN-WILLIAMSON-THERMFLO</b>				
	65-66-68-EG-68V 42-62 WATER BOILERS 7 1/4 DIA.-6 BH	68W-5	5	423
		68W-6	6	459
		68W-8	8	684
		68W-10	10	900
		68W-12	12	1134
	GOLD OIL OWT WATER BOILER 7 1/4 DIA.-6 BH	GOW-5	5	426
		GOW-6	6	497
		GOW-8	8	684
		GOW-10	10	900
		GOW-12	12	1134
	GOLD-65-66-68-EG OSB/T STEAM BOILERS 6 X 10-8 BH	GOS-5	5	447
		GOS-6	6	503
		GOS-8	8	743
		GOS-10	10	855
	76-86-88 6 X 10-8 BH * 86-88-ONLY	7686-6	6	503
		7686-8	8	726
		7686-10	10	831
		7686-12	12	957
		7686-15	15	1108
		*7686-20	20	1448
	80 SERIES & 785 1/4 X 10 1/8-8-BH	WM80-6	6	503
		WM80-8	8	743
		WM80-10	10	831
		WM80-12	12	957
		WM80-15	15	1108
		WM80-20	20	1448
MULTIPLE HEATERS CAN BE USED WITH 76-86-88-78				
<b>WEIL-MCLAIN</b>				
	LG STEAM 4 X 11 1/2-8 BH	LGS-5	5	557
		LGS-6	6	588
		LGS-8	8	795
	E STEAM BOILERS E-5 1/4 X 10 1/4-8 BH	ES-5	5	492
		ES-6	6	526
		ES-8	8	779
	62 STEAM 5 1/4 X 8 3/4-6 BH	62S-5	5	492
		62S-6	6	526
		62S-8	8	779
	57-77 78-B5 CAST IRON SHELL 8 3/4 X 20-16 BH *Steel Shell	7735-5	5	943
		7735-6	6	973
		7735-8	8	1199
		7735-10	10	1477
		7735-12	12	1716
		*7735-15	15	2245
		*7735-20	20	2726

		NUMBER		PRICE \$
<b>WEIL-MCLAIN</b>				
	72-73 6 1/4 X 10 1/4 -10 BH	7273-6	6	551
		7273-8	8	744
		7273-10	10	832
		7273-12	12	912
		7273-15	15	1162
	82-84 6 X 14-10 BH	8284-6	6	551
		8284-8	8	744
		8284-10	10	832
		8284-12	12	912
		8284-15	15	1162
	CGT-GAS 5 1/2 X 13 1/2-10BH	CGT-8	8	897
	OB15 5 1/4 X 11 3/4-8 BH	OB15-5	5	531
		OB15-6	6	565
		OB15-8	8	792
	OB15 5 1/4 X 11 3/4-8 BH	OB18-5	5	531
		OB18-6	6	565
		OB18-8	8	792
	92-94-K 5 1/4 X 7-6 BH	92-8	8	765
		92-10	10	796
		92-12	12	1020
		92-15	15	1164
		92-20	20	1548
	H-GAS 8 1/2 X 20-16 BH *Extended Shell	H-5	5	726
		H-6	6	761
		H-8	8	1165
		*H-10	10	1630
<b>WILLIAMS-WINKLER-STEWART-WARNER</b>				
	OILOMATIC-C CI-CIC-CIR 6 1/4 X 14 1/4-12 BH	WW-5	5	532
		WW-6	6	602
		WW-8	8	737
	OILOMATIC-C CI-CIC-CIR 6 1/4 X 14 1/4-14 BH	WW-10	10	887
		WO-5	5	532
		WO-6	6	602
		WO-8	8	737
		WO-10	10	887

BOILER SERIES	HEATER	RES	TRADE
---------------	--------	-----	-------

## OTHER POPULAR MISCELLANEOUS COILS








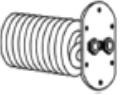

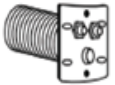




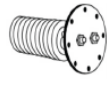
### REPLACEMENT CAST IRON & STEEL BOILER TANKLESS

PLEASE SPECIFY BOILER MAKE, SERIES & NUMBER AND PLATE DESCRIPTION

ALDRICH	HOMEART	RHEEM
AXE-AND	HYDROTHERM	ROCKMILL
BETHLEHEM DYN	KERR	SEARS ROEBUCK
BLUERAY	KEWANEE	SPENCER
BRYANT	KEYSTONE	TEXACO
BURNHAM RSA, RSM	MAGIC HEAT	THERMODYNAMICS
CARLIN	MOTOR STOKER	OS, NS
CROWN	NEW YORKER	UTICA
CRANE	NORSE	VALIANT
COLUMBIA	ONIEDA	VANWERT
DELCO	OIOMATIC	V&E
EDWARDS	PATCO	WINKLER
ENERJET	PACIFIC	YORK SHIPLEY
FITZGIBBONS	PARAGON	
GEN. AUTOMATIC	PEERLESS	
GILBARCO	PENN	
GIBRALTAR	PERCOFLASH	
GENERAL ELECTRIC	PIETRO	
GENT. JAN.	REPCO	

RES	LIST PRICE
4	527
5	531
6	602
7	755
8	882
10	1058
12	1270
15	1533
16	LARGER SIZES AVAILABLE CALL FOR PRICING
18	
20	
24	
25	
27	
30	
35	
40	

## WELDING FLANGE FOR BOILERS WITHOUT COIL OPENINGS, SPECIAL TAPPINGS AND OVERSIZE PLATES ADDITIONAL NET CHARGE- CALL FOR PRICING.

	<b>GENT. JAN-</b> 5 X 12 -10 BH		<b>GENERAL ELECTRIC LS</b> 25E THRU 70E 1" LOCK NUT CONNECTION		<b>KOVEN- V&amp;E- PIETRO-</b> <b>O.B.N.</b> KOVEN- V&E- 6-6 BH
	<b>FEDERAL- FC-FD-FLR-FM-</b> <b>FCA-FLR-FM2</b> PORTMAR-WINDSOR- 6 X 17 -10 BH		<b>GIBRALTAR</b> 5 1/2 X 13 1/2 -8 BH		<b>MANVILLE- MAGIC HEAT</b> <b>PACIFIC- SPENCER-</b> <b>COLUMBIA</b> 1" LOCK NUT CONNECTION
	<b>FEDERAL- FVW-VGF-</b> <b>FTTW-</b> 6 X 17 -10 BH <b>BURNHAM-</b> 6 X 13 1/2 -10 BH		<b>GIBRALTAR- PARAGON-</b> <b>V&amp;E- REPCO- GENERAL</b> <b>HTG PRODUCTS- IRON</b> <b>FIRE</b> 7" DIA. - 6 BH		<b>NATIONAL-PACIFIC SERIES</b> <b>200 THRU 700</b> 5 1/2 X 17 1/4 -12 BH
	<b>FEDERAL- SDF-GFS-</b> <b>HAMPTON-XL</b> <b>(CONTOURED)</b> 7 1/2 X 7 1/2 -6 BH		<b>IRON FIREMAN</b> <b>FAIRBANKS MORSE</b> <b>UTICA- TORRID HEAT</b> 6 X 16 1/2 -16 BH		<b>PERCOFLASH</b> <b>FITZGIBBONS-RZU JR.-80-</b> <b>200-4000<sup>000</sup></b> FITZ- 6 X 12 -8 BH PERCOFLASH- 5 3/4 X 13 1/2 -8 BH
	<b>FITZGIBBONS-400</b> <b>CHRYSLER AIRTEMP-</b> <b>PERCOFLASH</b> 4 3/8 X 13 -6 BH		<b>KEWANEE R-3R-83R</b> R- 5 X 12 1/2 -8 BH 3R- 6 1/4 X 15 1/2 -8 BH 83R- 6 1/4 X 15 1/2 -12 BH		<b>PORTMAR-NORSE- DELTA</b> 8" DIA. - 8 BH

**NOTE:**

CAPACITY RATING BASED ON TEMPERATURE RISE FROM 40° TO 140°, WITH BOILER WATER 200°.  
FIRING RATE TO BE SUITABLE FOR MAINTAINING 200° BOILER WATER- ON ALL UNITS