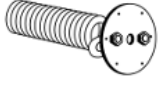


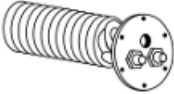
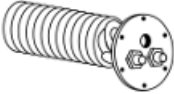
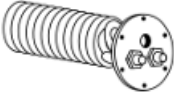

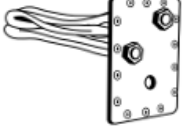

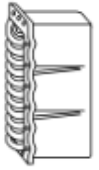
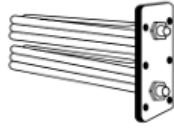
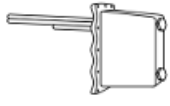
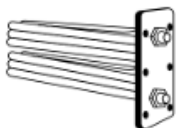
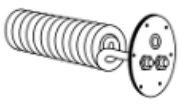
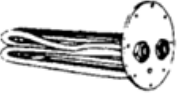
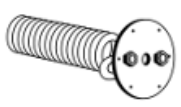

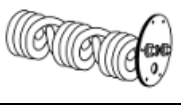
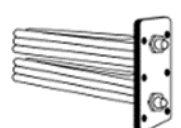
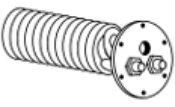
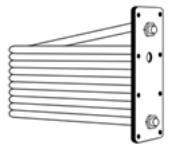
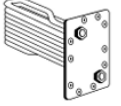
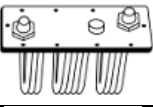
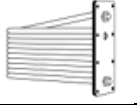
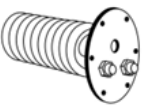
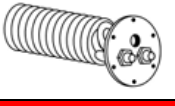
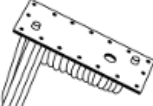



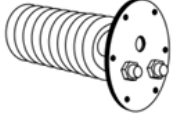
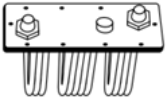
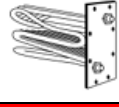
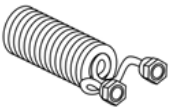
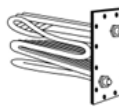
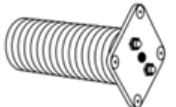

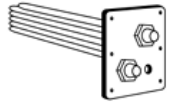
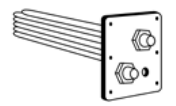
RESIDENTIAL TANKLESS COILS

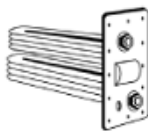

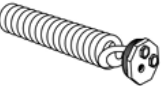
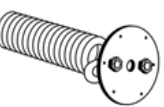
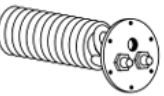
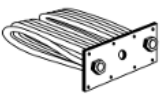
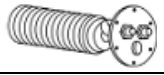
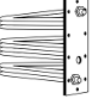
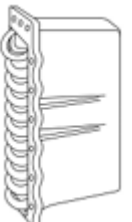
Price List –September 5, 2023

BOILER SERIES	HEATER NUMBER	RES	TRADE PRICE \$
AMERICAN			
	ARCOLEADER 8" DIA.-6 BH	700-5	5 577
		700-6	6 653
		700-8	8 818
		700-10	10 966
	ARCOLINER-N.B. 4" IPS SCREW TYPE	603-4	4 503
		604-5	5 581
		605-6	6 686
	ARCOLINER-N.B. WIDE BACK 6 1/2 X 17 1/2 - 14 BH	589-5	5 606
		589-6	6 669
		589-8	8 945
	A-3, FRA-3, APT, PFA-3, G-2, G-40 7 1/2 DIA. - 6 BH	589-10	10 1260
		A3-5	5 492
		A3-6	6 553
		A3-8	8 740
		A3-10	10 917
		A3-12	12 1266
		A3-15	15 1520
		A5-4	4 541
		A5-5	5 579
A5-6		6 663	
A5-7		7 758	
*A5-8		8 923	
	EXBROOK 10 X 13 1/2 - 14 BH	593-6	6 849
		593-8	8 1005
		593-10	10 1148
		593-12	12 1354
		593-15	15 1694
	5 1/2 X 12-8 BH *Water Only	G10-5	5 603
		G10-6	6 758
		G10-8	8 858
	OAKMONT 8-11 CAST IRON SHELL 8 X 19 1/2 - 17 BH *STEEL SHELL	585-5	5 1037
		585-6	6 1070
		585-8	8 1319
		585-10	10 1625
		585-12	12 1888
	PFA-5 5 3/4 X 11-6 BH	*585-15	15 2470
		PFA-5	5 600
		PFA-6	6 667
		PFA-8	8 837
		PFA-10	10 1068
	PFA-12	12 1256	

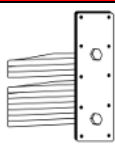
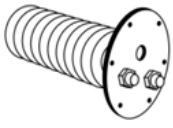
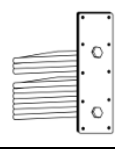

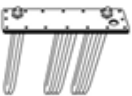
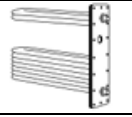
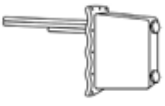
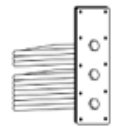
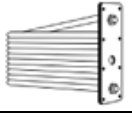

BOILER SERIES	HEATER NUMBER	RES	TRADE PRICE \$
AMERICAN			
	SEVERN 7 1/2 X 13 1/2 - 12BH *Extended Shell	590-5	5 871
		*590-6	6 1114
		*590-8	8 1170
		*590-10	10 1293
BURNHAM			
	FIESTA, FIESTA II, LIBERTY 8 1/2 X 12 1/2 -10BH	FT-5	5 610
		FT-6	6 774
		FT-8	8 945
	JUBILEE 100 HOLIDAY 60-61-62 PM-PB-PP HOLIDAY 6-72 GAS 7 1/2" - 6BH Water Boilers	100-5	5 558
		100-6	6 579
		100-8	8 838
		100-10	10 976
		100-12	12 1174
	HOLIDAY 70-80-81 PACEKING-FR SPECIFY STEAM OR WATER 10 1/2" DIA.-8 BH	100-15	15 1474
		PK-5	5 694
		PK-6	6 758
		PK-8	8 948
		PK-10	10 1132
	JUBILEE 200-FR Water Boilers 8" DIA.-6BH	PK-12	12 1354
		PK-15	15 1697
		PK-18	18 1921
		PK-20	20 2306
		PK-25	25 2789
	JUBILEE 200-FR Steam Boilers 8" DIA.-6 BH	BJW-5	5 579
		BJW-6	6 622
		BJW-8	8 849
		BJW-10	10 1087
	PACEMAKER HOL. 60-61 Steam Boilers 7 1/2 DIA.-6 BH	BJS-4	4 592
		BJS-5	5 640
		BJS-6	6 714
		BJS-8	8 904
	PF-5 5 3/4 X 11-6 BH	100S-4	4 581
		100S-5	5 649
		100S-6	6 747
		PF-5	5 598
	PF-6	6 667	
	PF-8	8 837	
	PF-10	10 1067	
	PF-12	12 1256	

BOILER SERIES		HEATER NUMBER	RES	TRADE PRICE \$	
BURNHAM					
	V8 WATER ONLY V3 WATER OR STEAM V7, VP, PF3 PATRIOT - FREEDOM 6 MEGASTEAM 7 ½ DIA.-6 BH	V8W-5	5	460	
		V8W-6	6	518	
		V8W-8	8	707	
		V8W-10	10	876	
		V8W-12	12	1208	
		V8W-15	15	1451	
	V8 STEAM V7 STEAM V1 STEAM OR WATER 5 X 12¼ - 8 BH *V9 Must specify	V8S-5	5	495	
		V8S-6	6	549	
		V8S-8	8	760	
		V8S-10	10	1010	
		*V8S-12	12	1187	
		*V8S-15	15	1441	
		V11 6 3/16 x 12 3/8-8BH	V11-8	8	793
			V11-10	10	1019
V11-12	12		1188		
V11-15	15		1445		
	YELLOW JACKET 7 X 9¼-10 BH	YJ-5	5	611	
		YJ-6	6	774	
		YJ-8	8	945	
CROWN					
	CDB BON-AIR EMPIRE ULTIMATE 6¼ X 11 ¼-10BH	CDB-5	5	520	
		CDB-6	6	559	
		CDB-8	8	787	
	KINGSTON 5 X 12¼ - 8 BH	CK-5	5	494	
		CK-6	6	558	
		CK-8	8	760	
	MONTEGO 8" DIA.-6 BH	CDM-5	5	565	
		CDM-6	6	592	
		CDM-8	8	834	
		CDM-10	10	925	
	TOBAGO CAYMAN BAHAMA 7 ½ DIA.-6 BH	TW-5	5	469	
		TW-6	6	528	
		TW-8	8	707	
DELCO FLAT PLATE TYPE					
	DB 3-4-5 8 ¾ X 20-16 BH *SHELL TYPE	DP-6	6	732	
		DP-8	8	1026	
		*DP-10	10	1793	
		*DP-12	12	1890	
DUNKIRK					
	13 STEAM 2D-GAS 6¼ X 17-14 BH	13S-5	5	585	
		13S-6	6	621	
		13S-8	8	855	

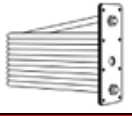
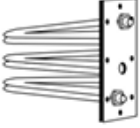
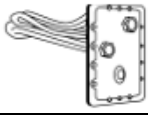

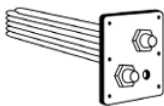
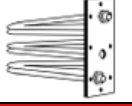
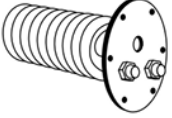
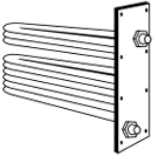
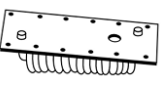
BOILER SERIES		HEATER NUMBER	RES	TRADE PRICE \$
DUNKIRK				
	LEXINGTON SUPER-13 8" DIA.-6 BH	1342-4	4	526
		1342-5	5	548
		1342-6	6	610
		1342-8	8	880
		1342-10	10	1087
	ULTIMATE 6¼ X 11¼ - 10BH	ULT-5	5	520
		ULT-6	6	559
		ULT-8	8	787
		ULT-10	10	876
	EMPIRE STEAM 6¼ X 10½-8 BH	ESC-5	5	528
		ESC-6	6	576
		ESC-8	8	846
DUNKIRK-DELCO-FEDERAL-PARAGON-PIETRO-C.I. BLR				
	DUNKIRK 13W- 15W-S DELCO 525- 1260 FED.OXFORD JUPITER 2¾" - 5" - 7" *SPECIFY CONN. CTRS.	PN-4	4	559
		PN-5	5	582
		PN-6	6	608
		PN-8	8	927
HART & CROUSE- BRYANT				
	COMPACT 230-231-234 5¼ X 12-12 BH	HC-4	4	575
		HC-5	5	645
		HC-6	6	702
H.B. SMITH				
	PAC 12-FD SERIES 8 WATER 7¼ X 7¼-4 BH	8W-4	4	460
		8W-5	5	533
		8W-6	6	630
		8W-8	8	811
		8W-10	10	976
	SERIES 8 STEAM 4 OR 5 GPM ONLY 7 ¼ X 7 ¼-4 BH	8S-4	4	456
		8S-5	5	482
		28-6	6	552
	28 STEAM BLRS 7¼ X 8½-6 BH	28-8	8	817
		28-10	10	955
		28-12	12	1053
		28-15	15	1367
			18-19 SERIES 5¼ X 12-6BH	ST19-6
ST19-8	8			817
ST19-10	10			955
ST19-12	12			1053
ST19-15	15			1393

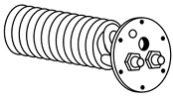
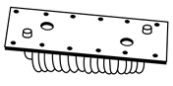
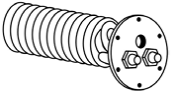
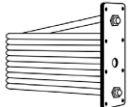
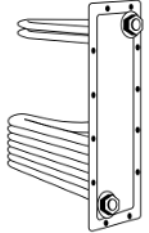
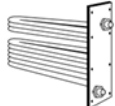
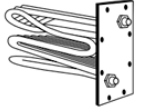
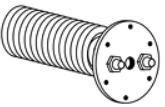
BOILER SERIES	HEATER NUMBER	RES	TRADE PRICE \$
H.B. SMITH			
	2025-6	6	714
	2025-8	8	1026
	2025-10	10	1184
	2025-12	12	1343
	2025-15	15	1690
	2025-20	20	2258
	2025-25	25	2577
	1115-5	5	671
	1115-6	6	725
	1115-8	8	955
	1115-10	10	1110
	4-4	4	503
	4-5	5	581
	4-6	6	686
	4-8	8	909
	4-10	10	1065
	4-12	12	1239
	4-15	15	1364
	14-5	5	606
	14-6	6	629
	14-8	8	877
	14-10	10	1105
HYDROTHERM			
	AQ-5	5	560
	AQ-6	6	603
	AQ-8	8	921
	OS-5	5	559
	OS-6	6	603
	OS-8	8	921
	VO-5	5	541
	VO-6	6	585
	VOA-5	5	559
	VOA-6	6	610
	VOA-8	8	894
NATIONAL-U.S.-CRANE			
	921-5	5	1038
	921-6	6	1070
	921-8	8	1319
	921-10	10	1625
	921-12	12	1888
	*921-15	15	2470
	*921-20	20	2999

BOILER SERIES	HEATER	RES	TRADE
---------------	--------	-----	-------

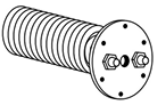
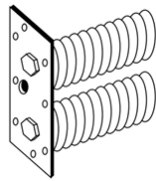
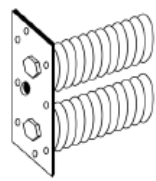
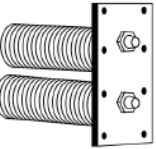
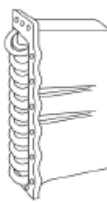
		NUMBER		PRICE \$
NATIONAL-U.S.-CRANE				
	NAT.-U.S. SUNRAY IV-19 CRANE-5 THATCHER-OC 6½ X 17½-10BH	19-5	5	584
		19-6	6	640
		19-8	8	955
		19-10	10	1132
	NAT.-U.S. 17-18 70-101-109-209 300 CRANE-2-8-11-12 202-300-302 Thatcher-G-OP 7¼ DIA.-6 BH	104-4	4	510
		104-5	5	537
		104-6	6	582
		104-8	8	813
		104-10	10	1070
		104-12	12	1193
	NAT.-U.S. 109SS-SW 200SS-SW CRANE-202SS-SW 7¼ X 15¼-12 BH	109SS-4	4	565
		109SS-5	5	692
		109SS-6	6	725
		109SS-8	8	979
	CRANE 15-26 6" DIA.-4 BH	15-4	4	535
		15-5	5	562
		15-6	6	639
		15-8	8	874
	NAT.-U.S. 12-12W Flange type 7 x 22½-16BH	12-5	5	694
		12-6	6	758
		12-8	8	1003
	NAT.-U.S. SUNRAY 1-3-46 6½ X 16¼-13 BH	119-5	5	696
		119-6	6	766
		119-8	8	1024
	CRANE 14-20 7½ X 13½-12 BH *Specify extended shell	1420-5	5	747
		1420-6	6	849
		*1420-8	8	1114
		*1420-10	10	1292
	CRANE 16 5 ½ x 12-10 BH	16-5	5	747
		16-6	6	849
		16-8	8	1114
		16-10	10	1292
	73 70SS-SW 5 X 12½-8 BH	73-5	5	579
		73-6	6	634
		73-8	8	894
	NAT.-U.S. CRANE 80 11¼" DIA.-8 BH	80-6	6	837
		80-8	8	948
		80-10	10	1157
		80-12	12	1364
		80-15	15	1734
		80-20	20	2033
		80-25	25	2540


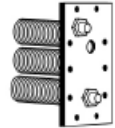
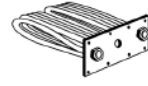
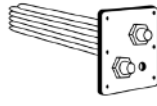
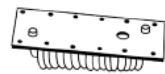
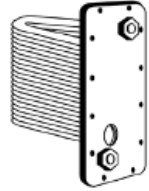
BOILER SERIES	HEATER NUMBER	RES	TRADE PRICE \$
---------------	---------------	-----	----------------

NEW YORKER						
	NEW YORKER CLW-WATER CLS-STEAM 5 X 12½ - 8 BH	CL-5	5	495		
		CL-6	6	549		
		CL-8	8	760		
PEERLESS - STEAM						
	ECT-STEAM 5 3/16 X 9 7/8-8 BH *SHELL INCLUDED	ECT-5	5	473		
		ECT-6	6	545		
		ECT-8	8	800		
		ECT-10	10	987		
		*ECT-12	12	2483		
	HEO-STEAM OR WATER 7 ¼ X 11-8 BH	HEO-5	5	522		
		HEO-6	6	577		
		HEO-8	8	806		
	JO-JOT-2-2T- STEAM 6 ¼ X 14¼-12 BH	JOT-5	5	505		
		JOT-6	6	571		
		JOT-8	8	800		
		JOT-10	10	987		
	TC SERIES STEAM OR WATER 7½ X 8½-6BH	TC-6	6	552		
		TC-8	8	817		
		TC-10	10	955		
		TC-12	12	1053		
		TC-15	15	1367		
	WBV-STEAM 5 9/16 X 9 7/8-8 BH	WBV-5	5	473		
		WBV-6	6	545		
		WBV-8	8	800		
PEERLESS - WATER						
	JO-JOT-FD-LC 2-2T 7-7PF 60-61-81 WBV WATER ECT-STEAM 8" DIA.-6 BH	PR-5	5	470		
		PR-6	6	510		
		PR-8	8	757		
		PR-10	10	892		
		PR-12	12	984		
		PR-15	15	1169		
		PR-20	20	1491		
RICHMOND-RHEEM-RUDD						
	RHEEM-G-O-PO RICHMOND-RWA H-WFD-R-RW-PR 5 ¼ x 13 ½ -8 BH	RR-5	5	502		
		RR-6	6	610		
		RR-8	8	894		
		RO-5	5	568		
	RICHMOND-RWA H-WFD-R-RW-PR 5 ¼ x 15 ½ -10 BH	RO-6	6	610		
		RO-8	8	894		
		SLANT FIN				
			GALAXY MALIBU 8¼ X 15½-12BH	SF-5	5	518
SF-6	6			584		
SF-8	8			895		
SF-10	10			1059		
BOILER SERIES	HEATER NUMBER	RES	TRADE PRICE \$			

SLANT FIN					
	LIBERTY WATER INTREPID 7 ½" DIA.6 BH	LW-4	4	524	
		LW-5	5	498	
		LW-6	6	570	
		LW-8	8	841	
	LIBERTY STEAM BOILERS INTREPID 8 1/8 X 15 15/16-12 BH	LS-5	5	561	
		LS-6	6	579	
		LS-8	8	887	
		LS-10	10	1053	
	VANTAGE II FUTURA 7 ½" DIA.-6 BH	FUT-5	5	571	
		FUT-6	6	596	
		FUT-8	8	895	
	78 5 X 12½-8 BH	78-5	5	579	
		78-6	6	634	
		78-8	8	1000	
THATCHER					
	015 THRU 020 6 X 20% -12 BH	T-5	5	725	
		T-6	6	747	
		T-8	8	1013	
		T-10	10	1181	
	56 SERIES 7¼ X 19-14 BH	56-5	5	725	
		56-6	6	747	
		56-8	8	1013	
	525 SERIES 6¼ X 14¼-12BH	525-5	5	725	
		525-6	6	747	
		525-8	8	1013	
	GOLDEN OILMASTER	WATER BOILERS SAME AS BURNHAM BJW			
		STEAM BOILERS SAME AS BURNHAM BJS			
T.F. GAS	SAME AS BURNHAM HOLIDAY 70-80				
UTICA-RADIATOR					
	STARFIRE ACE-OU 5¼ X 13½-8 BH	UST-5	5	559	
		UST-6	6	610	
		UST-8	8	894	
	STARFIRE II, III-STEAM B-C OIL-GAS, POBT 6½ X 10½-8 BH	STS-5	5	518	
		STS-6	6	565	
		STS-8	8	846	
	STARFIRE II, III-WATER 7¼ DIA.-6 BH	STW-4	4	467	
		STW-5	5	473	
		STW-6	6	542	
		STW-8	8	846	

BOILER SERIES	HEATER	RES	TRADE
---------------	--------	-----	-------

		NUMBER		PRICE \$
WEIL-MCLAIN-WILLIAMSON-THERMFLO				
	65-66-68-EG-68V 42-62 WATER BOILERS 7 1/4 DIA.-6 BH	68W-5	5	435
		68W-6	6	472
		68W-8	8	718
		68W-10	10	945
		68W-12	12	1191
	GOLD OIL OWT WATER BOILER 7 1/4 DIA.-6 BH	GOW-5	5	439
		GOW-6	6	512
		GOW-8	8	718
		GOW-10	10	945
		GOW-12	12	1191
	GOLD-65-66-68- EG OSB/T STEAM BOILERS 6 X 10-8 BH	GOS-5	5	460
		GOS-6	6	518
		GOS-8	8	780
		GOS-10	10	898
	76-86-88 6 X 10-8 BH * 86-88-ONLY	7686-6	6	528
		7686-8	8	762
		7686-10	10	872
		7686-12	12	1005
		7686-15	15	1163
		*7686-20	20	1593
	80 SERIES & 785 1/4 X 10 1/8-8-BH	WM80-6	6	528
		WM80-8	8	780
		WM80-10	10	872
		WM80-12	12	1005
		WM80-15	15	1163
		WM80-20	20	1593
MULTIPLE HEATERS CAN BE USED WITH 76-86-88-78				
WEIL-MCLAIN				
	LG STEAM 4 X 11 1/2-8 BH	LGS-5	5	613
		LGS-6	6	647
		LGS-8	8	874
	E STEAM BOILERS E-5 1/4 X 10 1/4-8 BH	ES-5	5	541
		ES-6	6	579
		ES-8	8	857
	62 STEAM 5 1/4 X 8 3/4-6 BH	62S-5	5	541
		62S-6	6	579
		62S-8	8	857
	57-77 78-B5 CAST IRON SHELL 8 3/4 X 20-16 BH *Steel Shell	7735-5	5	1037
		7735-6	6	1070
		7735-8	8	1319
		7735-10	10	1625
		7735-12	12	1888
		*7735-15	15	2470
		*7735-20	20	2999

		NUMBER		PRICE \$
WEIL-MCLAIN				
	72-73 6 1/4 X 10 1/4 -10 BH	7273-6	6	606
		7273-8	8	818
		7273-10	10	915
		7273-12	12	1003
		7273-15	15	1278
	82-84 6 X 14-10 BH	8284-6	6	606
		8284-8	8	818
		8284-10	10	915
		8284-12	12	1003
		8284-15	15	1278
	CGT-GAS 5 1/2 X 13 1/2-10BH	CGT-8	8	942
	OB15 5 1/4 X 11 3/4-8 BH	OB15-5	5	584
		OB15-6	6	621
		OB15-8	8	871
	OB15 5 1/4 X 11 3/4-8 BH	OB18-5	5	584
		OB18-6	6	621
		OB18-8	8	871
	92-94-K 5 1/4 X 7-6 BH	92-8	8	841
		92-10	10	876
		92-12	12	1122
		92-15	15	1280
		92-20	20	1702
	H-GAS 8 1/2 X 20-16 BH *Extended Shell	H-5	5	799
		H-6	6	837
		H-8	8	1281
		*H-10	10	1793
WILLIAMS-WINKLER-STEWART-WARNER				
	OILOMATIC-C CI-CIC-CIR 6 1/4 X 14 1/4-12 BH	WW-5	5	585
		WW-6	6	662
		WW-8	8	811
	OILOMATIC-C CI-CIC-CIR 6 1/4 X 14 1/4-14 BH	WW-10	10	976
		WO-5	5	585
		WO-6	6	662
		WO-8	8	811
		WO-10	10	976

BOILER SERIES	HEATER	RES	TRADE
---------------	--------	-----	-------

OTHER POPULAR MISCELLANEOUS COILS








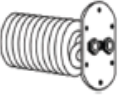

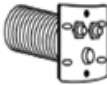




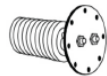
REPLACEMENT CAST IRON & STEEL BOILER TANKLESS

PLEASE SPECIFY BOILER MAKE, SERIES & NUMBER AND PLATE DESCRIPTION

ALDRICH	HOMEART	RHEEM
AXE-AND	HYDROTHERM	ROCKMILL
BETHLEHEM DYN	KERR	SEARS ROEBUCK
BLUERAY	KEWANEE	SPENCER
BRYANT	KEYSTONE	TEXACO
BURNHAM RSA, RSM	MAGIC HEAT	THERMODYNAMICS
CARLIN	MOTOR STOKER	OS, NS
CROWN	NEW YORKER	UTICA
CRANE	NORSE	VALIANT
COLUMBIA	ONIEDA	VANWERT
DELCO	OIOMATIC	V&E
EDWARDS	PATCO	WINKLER
ENERJET	PACIFIC	YORK SHIPLEY
FITZGIBBONS	PARAGON	
GEN. AUTOMATIC	PEERLESS	
GILBARCO	PENN	
GIBRALTAR	PERCOFLASH	
GENERAL ELECTRIC	PIETRO	
GENT. JAN.	REPCO	

RES	LIST PRICE
4	543
5	547
6	620
7	778
8	908
10	1090
12	1380
15	1579
16	LARGER SIZES AVAILABLE CALL FOR PRICING
18	
20	
24	
25	
27	
30	
35	
40	

WELDING FLANGE FOR BOILERS WITHOUT COIL OPENINGS, SPECIAL TAPPINGS AND OVERSIZE PLATES ADDITIONAL NET CHARGE- CALL FOR PRICING.

	GENT. JAN- 5 X 12 -10 BH		GENERAL ELECTRIC LS 25E THRU 70E 1" LOCK NUT CONNECTION		KOVEN- V&E- PIETRO- O.B.N. KOVEN- V&E- 6-6 BH
	FEDERAL- FC-FD-FLR-FM- FCA-FLR-FM2 PORTMAR-WINDSOR- 6 X 17 -10 BH		GIBRALTAR 5 1/2 X 13 1/2 -8 BH		MANVILLE- MAGIC HEAT PACIFIC- SPENCER- COLUMBIA 1" LOCK NUT CONNECTION
	FEDERAL- FVW-VGF- FTTW- 6 X 17 -10 BH BURNHAM- 6 X 13 1/2 -10 BH		GIBRALTAR- PARAGON- V&E- REPCO- GENERAL HTG PRODUCTS- IRON FIRE 7" DIA. - 6 BH		NATIONAL-PACIFIC SERIES 200 THRU 700 5 1/2 X 17 1/4 -12 BH
	FEDERAL- SDF-GFS- HAMPTON-XL (CONTOURED) 7 1/2 X 7 1/2 -6 BH		IRON FIREMAN FAIRBANKS MORSE UTICA- TORRID HEAT 6 X 16 1/2 -16 BH		PERCOFLASH FITZGIBBONS-RZU JR.-80- 200-4000⁰⁰⁰ FITZ- 6 X 12 -8 BH PERCOFLASH- 5 3/4 X 13 1/2 -8 BH
	FITZGIBBONS-400 CHRYSLER AIRTEMP- PERCOFLASH 4 3/8 X 13 -6 BH		KEWANEE R-3R-83R R- 5 X 12 1/2 -8 BH 3R- 6 1/4 X 15 1/2 -8 BH 83R- 6 1/4 X 15 1/2 -12 BH		PORTMAR-NORSE- DELTA 8" DIA. - 8 BH

NOTE:

CAPACITY RATING BASED ON TEMPERATURE RISE FROM 40° TO 140°, WITH BOILER WATER 200°. FIRING RATE TO BE SUITABLE FOR MAINTAINING 200° BOILER WATER- ON ALL UNITS