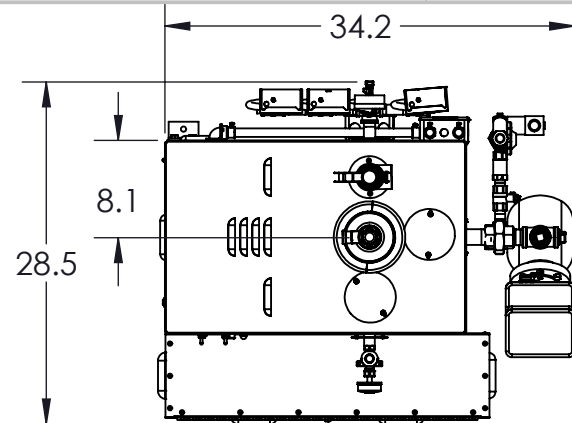
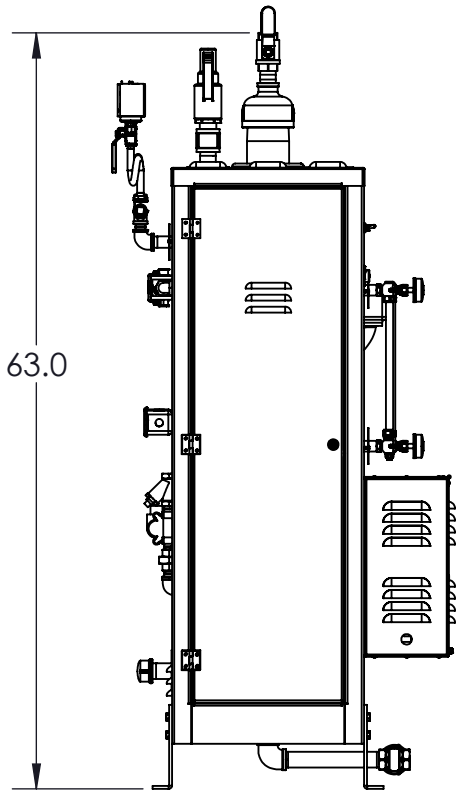


Notes:

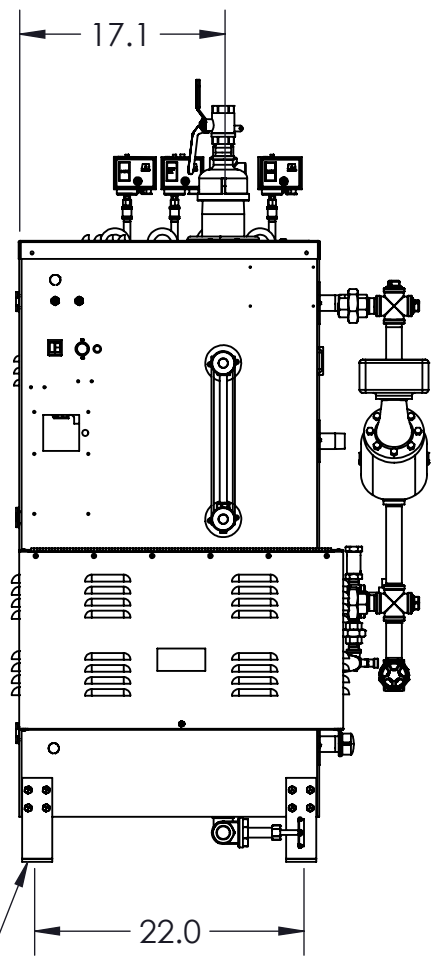
1. For ES85 to ES100, 15, 50, and 100psi trims, 380V, 415V, 480V & 600V, 3 ph
2. Boiler is UL listed to standard 834
3. Materials of construction:
  1. Vessel and Piping: Carbon Steel
  2. Jacket: Stainless Steel
4. Pressure vessel built in accordance with ASME Section 1 and carries an "M" stamp
5. Completed boiler is built in accordance with ASME Section 1 and carries an "E" Stamp
6. Refer to Technical Data Sheet at [www.sussmanboilers.com](http://www.sussmanboilers.com) for more information



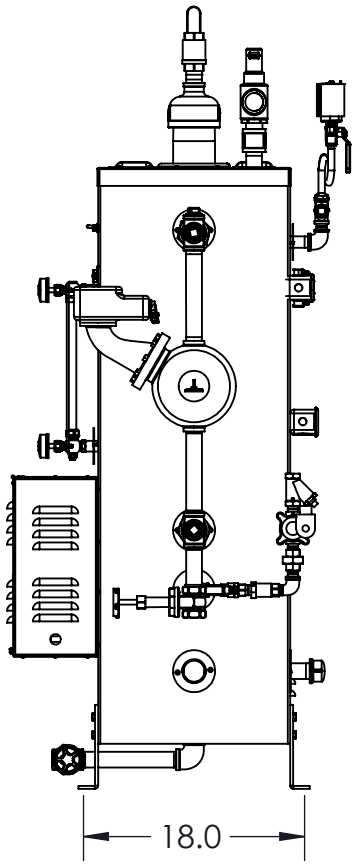
Top



Left

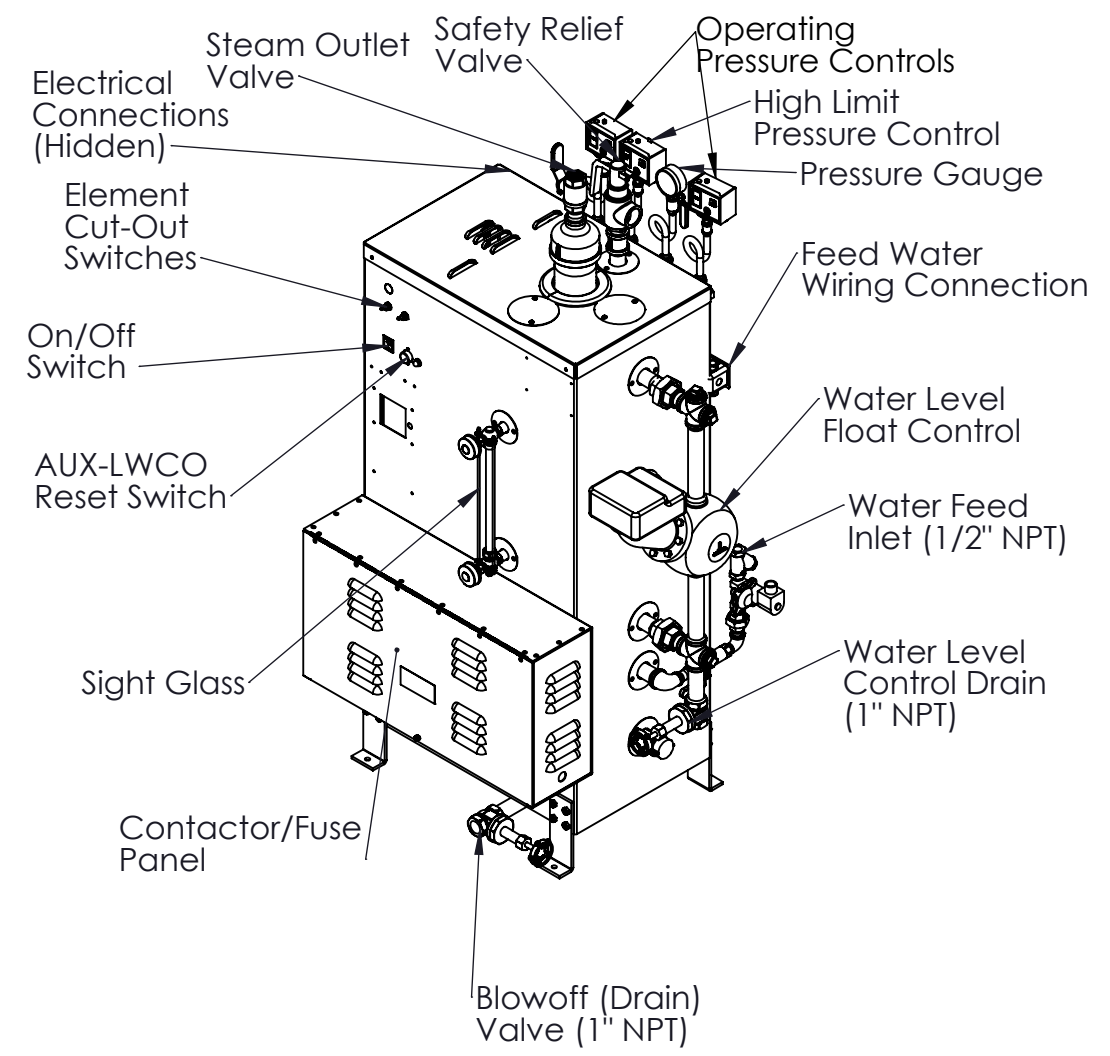


Front



Right

Mounting Holes:  
4 x Ø .437"



DIMENSIONS ARE SHOWN IN INCHES (CENTIMETERS)  
TOLERANCES ARE AS FOLLOWS UNLESS OTHERWISE SPECIFIED  
X.XX X.XXX X.XXXX ANGULAR FINISH  
±.12 ±.031 ±.0156 ±1.0° 250  
REMOVE AND DEBURR SHARP EDGES AND CORNERS  
ALL DIMENSIONS ARE AFTER FINISH OR PLATING  
REFERENCE DIMENSIONS ARE SHOWN IN PARENTHESES ( )  
CRITICAL DIMENSIONS ARE SHOWN IN   

THIS DRAWING AND/OR SPECIFICATIONS ARE THE PROPERTY OF DIVERSIFIED HEAT TRANSFER INC. THIS CONFIDENTIAL AND PROPRIETARY INFORMATION SHALL NOT BE USED, COPIED OR REPRODUCED IN ANY MEANS AS THE BASIS FOR MANUFACTURE OR SALE OF APPARATUS WITHOUT WRITTEN AUTHORIZATION FROM OWNER.



439 MAIN RD. TOWACO NJ 07082  
PHONE: (800) 221-1522 FAX: (718) 386-7809

TITLE  
ES85-ES100 ELECTRIC STEAM BOILER  
15 PSI, 50 PSI, 100 PSI, 380V, 415V, 480V & 600V/3 PH

A		FOR RELEASE	JH	12/28/23	THIRD ANGLE PROJECTION	DWG. SCALE	MATERIAL SPEC:		NAME	DATE	DWG#	REV
REV	ECN	REVISION DESCRIPTION	NAME	DATE		1:16		DRAWN BY	JH	12/28/23	ES85-ES100	
								CHECKED BY			SHEET 1 OF 2	

4

3

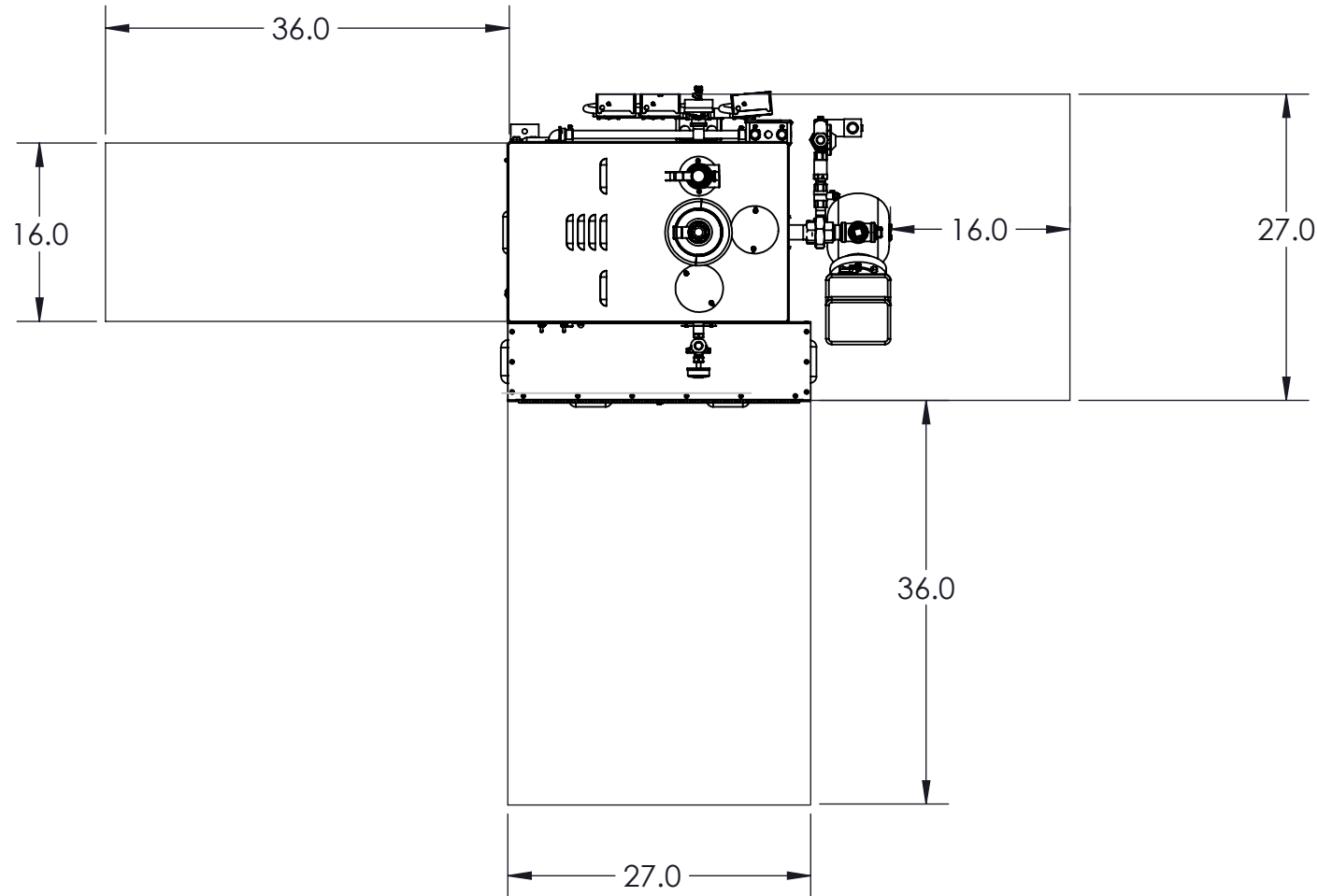
2

1

Notes:

1. Minimum 1" clearance to all combustible materials
2. Service clearances to be in conformance to NEC requirements

## Service Clearance Requirements



Boiler	kW	Pressure	Elements	Voltage	Amp Draw	Control Voltage	Steam Flowrate (lbs/hr)	Feed Water Consumption (GPM)	Reccomended Min. Feed Water Rate (gpm)
ES85	84	15 50 100	4 x 18kw 1 x 12kw	380	128	240	256	0.51	1.52
				415	117				
				480	101	120			
ES100	108	15 50 100	6 x 18kw	380	164	240	325	0.65	1.95
				415	150				
				480	130	120			
				600	104				

Boiler	Total Volume (gal)	Operating Volume (gal)	Dry Weight (LBS.)	Wet Weight (LBS.)	Shipping Weight (LBS.)	Steam Outlet Size (NPT)	Water Feed Inlet Size (NPT)	Drain Outlet Size (NPT)	Safety Valve Outlet Size (NPT)
ES85	28	17.5	435	586	680	1" (15)	1/2"	1"	1-1/2" (15)
ES100						3/4" (50&100)			1-1/4" (100)

Note: All weights do not include options. See option drawings for additional weights

DIMENSIONS ARE SHOWN IN INCHES (CENTIMETERS)  
TOLERANCES ARE AS FOLLOWS UNLESS OTHERWISE SPECIFIED  
X.XX X.XXX X.XXXX ANGULAR FINISH  
±.12 ±.031 ±.0156 ±1.0° 250  
REMOVE AND DEBURR SHARP EDGES AND CORNERS  
ALL DIMENSIONS ARE AFTER FINISH OR PLATING  
REFERENCE DIMENSIONS ARE SHOWN IN PARENTHESES ( )  
CRITICAL DIMENSIONS ARE SHOWN IN

THIS DRAWING AND/OR SPECIFICATIONS ARE THE PROPERTY OF DIVERSIFIED HEAT TRANSFER INC. THIS CONFIDENTIAL AND PROPRIETARY INFORMATION SHALL NOT BE USED, COPIED OR REPRODUCED IN ANY MEANS AS THE BASIS FOR MANUFACTURE OR SALE OF APPARATUS WITHOUT WRITTEN AUTHORIZATION FROM OWNER.



439 MAIN RD. TOWACO NJ 07082  
PHONE: (800) 221-1522 FAX: (718) 386-7809

TITLE  
ES85-ES100 ELECTRIC STEAM BOILER  
15 PSI, 50 PSI, 100 PSI, 380V, 415V, 480V &  
600V/3 PH

A		FOR RELEASE	JH	12/28/23	THIRD ANGLE PROJECTION	DWG. SCALE	MATERIAL SPEC:		NAME	DATE	DWG#	REV
REV	ECN	REVISION DESCRIPTION	NAME	DATE		1:16		DRAWN BY	JH	12/28/23	ES85-ES100	
								CHECKED BY			SHEET 2 OF 2	

4

3

2

1