

4

3

2

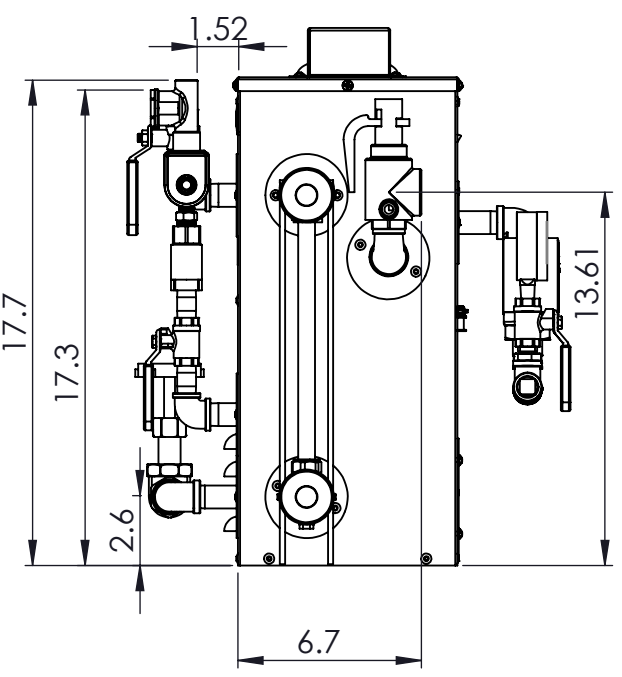
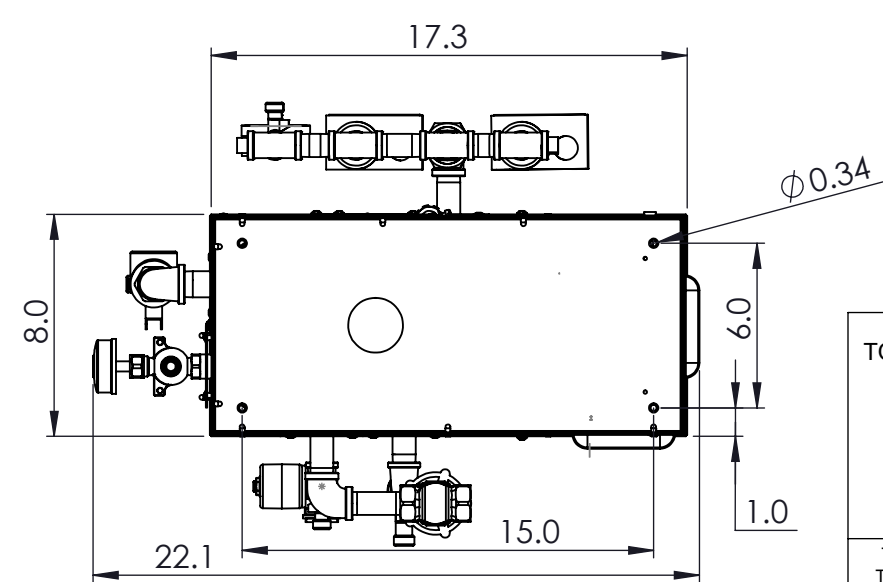
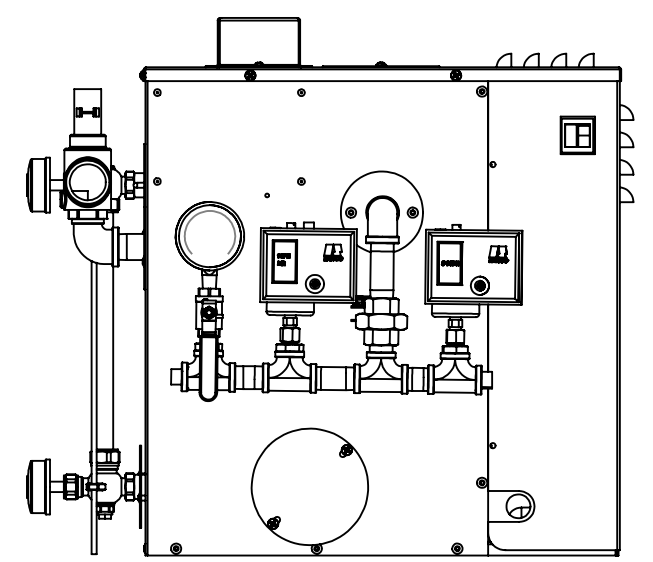
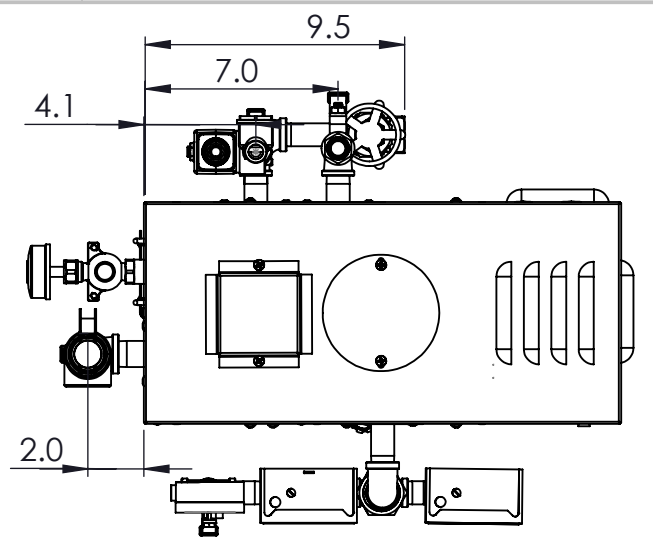
1

B

B

A

A



Pressure Gauge

Power Switch

Operating Pressure Control

Safety Valve (1" NPT)

Sight Glass

Steam Outlet (1/2" NPT)

Water Feed Inlet (1/4" NPT)

Drain Valve (1/2" NPT)

DIMENSIONS ARE SHOWN IN INCHES [CENTIMETERS]
 TOLERANCES ARE AS FOLLOWS UNLESS OTHERWISE SPECIFIED
 X.XX X.XXX X.XXXX ANGULAR FINISH
 ±.12 ±.031 ±.0156 ±1.0° 250
 REMOVE AND DEBURR SHARP EDGES AND CORNERS
 ALL DIMENSIONS ARE AFTER FINISH OR PLATING
 REFERENCE DIMENSIONS ARE SHOWN IN PARENTHESES ()
 CRITICAL DIMENSIONS ARE SHOWN IN

THIS DRAWING AND/OR SPECIFICATIONS ARE THE PROPERTY OF DIVERSIFIED HEAT TRANSFER INC. THIS CONFIDENTIAL AND PROPRIETARY INFORMATION SHALL NOT BE USED, COPIED OR REPRODUCED IN ANY MEANS AS THE BASIS FOR MANUFACTURE OR SALE OF APPARATUS WITHOUT WRITTEN AUTHORIZATION FROM OWNER.



439 MAIN RD. TOWACO NJ 07082
 PHONE: (800) 221-1522 FAX: (718) 386-7809

TITLE MBA3-MBA20 Electric Steam Boiler
 15PSI, 50PSI, 100PSI

A		FOR RELEASE	JH	3/14/24
REV	ECN	REVISION DESCRIPTION	NAME	DATE

THIRD ANGLE PROJECTION	DWG. SCALE	MATERIAL SPEC:
	1:7	

	NAME	DATE	DWG#	REV
DRAWN BY	JH	3/14/24	MBA3-MBA20	
CHECKED BY			SHEET 1 OF 1	

4

3

2

1