

4

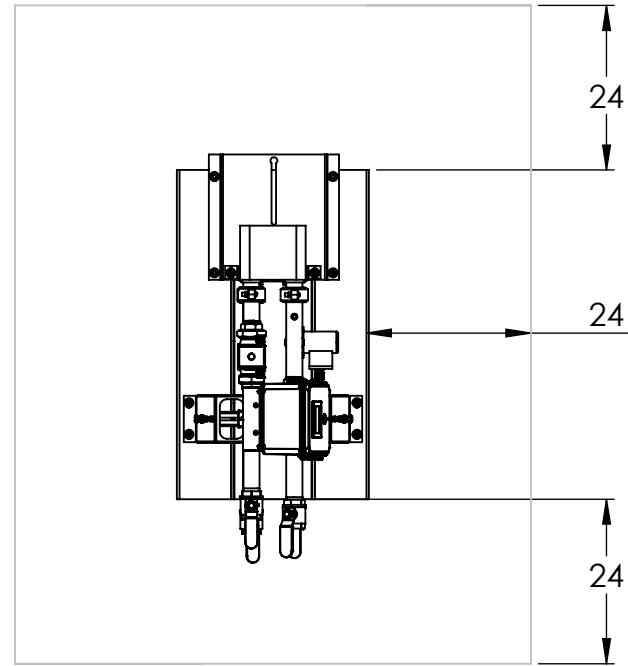
3

2

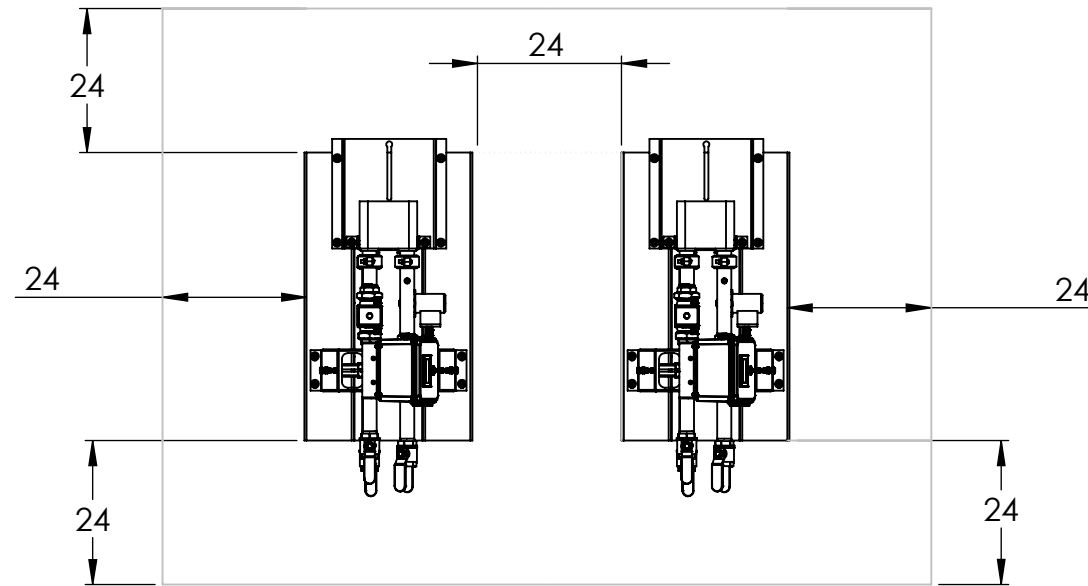
1

NOTES:

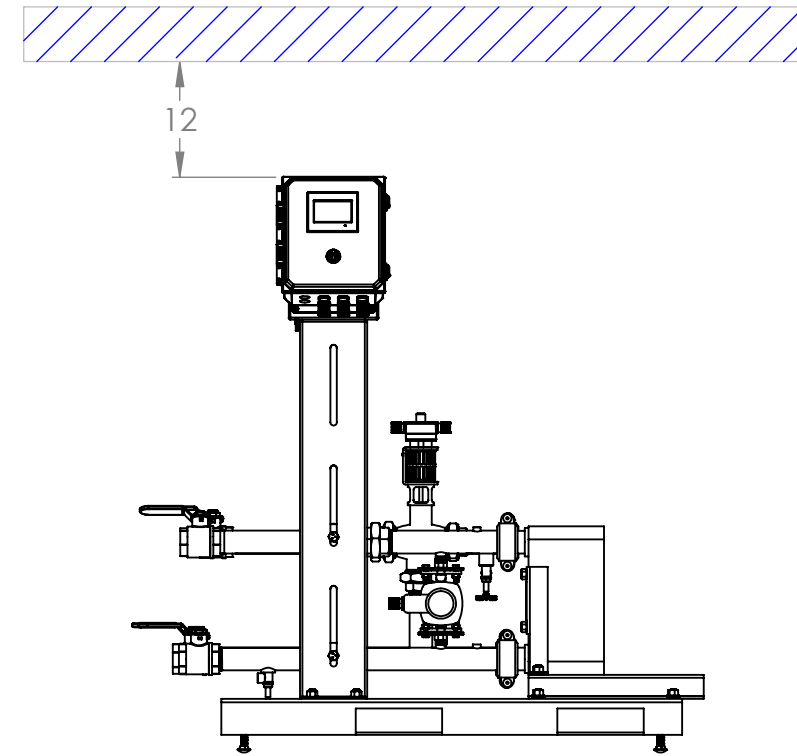
- 1. ALL DIMENSIONS SHOWN ARE IN INCHES .
- 2. THIS DRAWING SHOWS MINIMUM RECOMMENDED SERVICE CLEARANCE DIMENSIONS AROUND THE UNIT. LOCAL CODES AND AUTHORITIES SHOULD ALSO BE CONSULTED.
- 3. REFER TO WATER HEATER DIMENSIONAL DRAWING TO REVIEW OTHER DIMENSIONS.
- 4. DHT RESERVES THE RIGHT TO MODIFY THE DIMENSIONS WITHOUT PRIOR NOTICE.



SINGLE UNIT INSTALLATION



MULTIPLE UNITS INSTALLATION



ELEVATION VIEW

DIMENSIONS ARE SHOWN IN INCHES (CENTIMETERS)
 TOLERANCES ARE AS FOLLOWS UNLESS OTHERWISE SPECIFIED
 X.XX X.XXX X.XXXX ANGULAR FINISH
 ±.12 ±.031 ±.0156 ±1.0° 250
 REMOVE AND DEBURR SHARP EDGES AND CORNERS
 ALL DIMENSIONS ARE AFTER FINISH OR PLATING
 REFERENCE DIMENSIONS ARE SHOWN IN PARENTHESES ()
 CRITICAL DIMENSIONS ARE SHOWN IN

THIS DRAWING AND/OR SPECIFICATIONS ARE THE PROPERTY OF DIVERSIFIED HEAT TRANSFER INC. THIS CONFIDENTIAL AND PROPRIETARY INFORMATION SHALL NOT BE USED, COPIED OR REPRODUCED IN ANY MEANS AS THE BASIS FOR MANUFACTURE OR SALE OF APPARATUS WITHOUT WRITTEN AUTHORIZATION FROM OWNER.

DIVERSIFIED
 HEAT TRANSFER INC.
 439 MAIN RD. TOWACO NJ 07082
 PHONE: (800) 221-1522 FAX: (718) 386-7809

TITLE SPC INSTALLATION CLEARANCE DRAWING

THIRD ANGLE PROJECTION



DWG. SCALE

1:20

MATERIAL SPEC:

DRAWN BY

NAME JH

DATE 09/24/2024

CHECKED BY

DWG#

SHEET 1 OF 1

REV

A

REV

ECN

REVISION DESCRIPTION

NAME

DATE

4

3

2

1

B

B

A

A